

WOLTMANN PULSE EMITTER WATER METER

Data Sheet

FEATURES

- Dry dial
- Threaded Woltmann (2") type for cold and hot water
- Flange sizes range: from 2" to 8"
- Woltmann water meter for horizontal and vertical assembly
- Working temperature: cold water up to 60° C
CWCA mod. up to 130 °C @ 16 bar
- Epoxy coated cast iron housing (except for CWFI with brass housing)
- Max voltage 250 VAC, 200 VDC
- Max current 1.0 A
- Max power 10 VA
- Insulation voltage 4000 Vac
- Available water meter without pulse emitter



Configuration Info

MODELS	
CWFA	"CWFA" - Woltmann pulse sender water meter (cold water, dry dial)
CWCA	"CWCA" - Woltmann pulse sender water meter (hot water, dry dial)
CWFI	"CWFI" - Woltmann pulse sender water meter (cold water, dry dial, threaded 2")
CWFAT	"CWFAT" - Woltmann pulse sender water meter (cold water, dry dial, teflon coated)

Model **CWCA.** **015** **0** **01** **L** **0** **2.5**

GAUGES		
	inc	mm
050	2	50
065	2 1/2	65
080	3	80
100	4	100
150	6	150
200	8	200
250	10	250
300	12	300

CONNECTORS	
0	BNC
1	2 wires
3	2 wires (coaxial cable)

QUANTITY PER PULSES	
L	1 litre
D	10 litres
C	100 litres
M	1000 litres

PULSES PER LITRE
refer to the tables "Pulses per litre"

WOLTMANN PULSE EMITTER WATER METER

Data Sheet

PULSES PER LITRE

PULSES PER LITER FOR CWFA / CWFI SERIES								
	Water meter caliber							
	50 - 2"	65 - 2,5"	80 - 3"	100 - 4"	150 - 6"	200 - 8"	250 - 10"	300 - 12"
Pulses for 10 lt	1-2.4	1-2.4	1-2.4	n/a	n/a	n/a	n/a	n/a
Pulses for 100 lt	1-2.4	1-2.4	1-2.4	1-2.4	1-2.4	n/a	n/a	n/a
Pulses for 1000 lt	1-2.4	1-2.4	1-2.4	1-2.4	1-2.4	1-2.4	1-2.4	1-2.4
Pulses for 10000 lt	n/a	n/a	n/a	1-2.4	1-2.4	1-2.4	1-2.4	1-2.4

PULSES PER LITER FOR CWCA						
	Water meter caliber					
	50 - 2"	65 - 2,5"	80 - 3"	100 - 4"	150 - 6"	200 - 8"
Pulses for 100 lt	1			n/a		
Pulses for 1000 lt	n/a			1		

DIMENSIONS

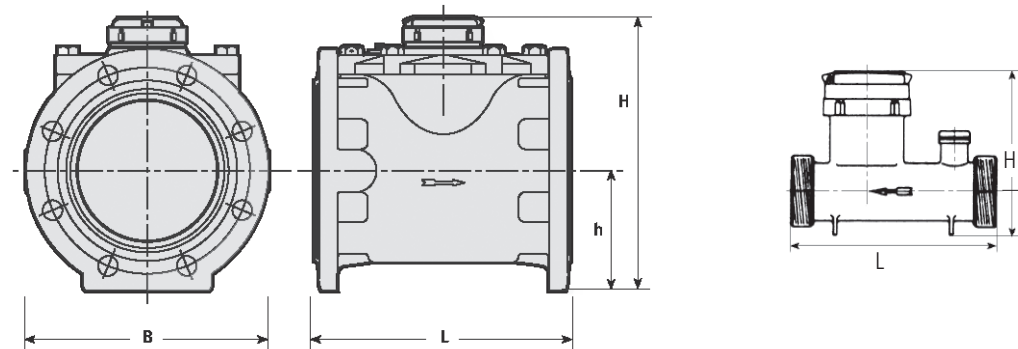
GAUGES	(mm)	50	65	80	100	150	200	250	300	CWFI 50
	(inch)	2	2 1/2	3	4	6	8	10	12	CWFI 2
L - Length (mm)		200	200	230	250	300	350	450	500	200
B - Width (mm)		165	185	200	200	283	340	406	460	-
H - Height (mm)		214	228	234	250	310	338	438	465	175
h - Height (mm)		70	84	90	106	130	158	258	330	-
Weight (kg)		12	13	15.5	19	35	47	75	95	5

CWFAT

DRY DIAL

- MAX 60°C - 16 BAR
- Woltman cold water pulse emitting water meter
- Internal and external PTFE coating
- 2,5 m cable

CWFAT 50	Flange 2"
CWFAT 65	Flange 2 1/2"
CWFAT 80	Flange 3"
CWFAT 100	Flange 4"



FEATURES

WSTsb		Maximum Flowrate (m³/h)	Nominal Flowrate (m³/h)	Transitional Flowrate (m³/h)	Minimum Flowrate (m³/h)	Flow (m³/h)	register capacity (m³)	Value	readable unit (liter)
Nominal size (mm)	(inch)								
50	2	78.75	63	1.01	0.63	0.15	10 ⁶	100	0.5
65	2 1/2	78.75	63	1.01	0.63	0.15	10 ⁶	100	0.5
80	3	125	100	1.6	1	0.25	10 ⁶	100	0.5
100	4	200	160	2.56	1.6	0.3	10 ⁷ /10 ⁶	100	5
150	6	312.5	250	4	2.5	0.8	10 ⁷ /10 ⁶	100	5
200	8	787.5	630	20.16	12.6	2	10 ⁸	50	50
250	10	1250	1000	32	20	3	10 ⁸	50	50
300	12	1250	1000	32	20	4	10 ⁸	50	50

Accuracy ±5%

