

# "RAC" - "RACV" Pneumatic Dosing Pump

## Data Sheet

### Features:

Power supply: 230 VAC (190÷265 VAC)  
 Power supply: 24 20÷32 VAC/VDC  
 Power supply: 48 VAC (42÷54 VAC)

### ENVIRONMENTAL WORK:

-10°C ÷ +50°C (14°F ÷ 122°F)

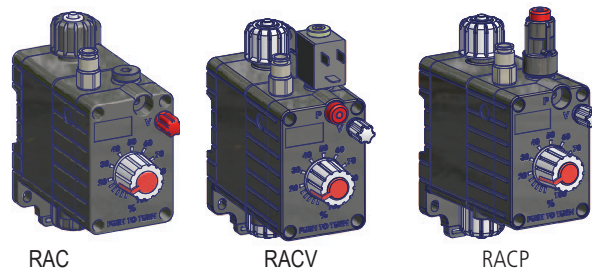
### MAIN INFO:

- Front controls
- Front purge
- Manual priming button (RACP)
- Electrovalve (RACV)
- Single injection control knob

### - 3 installation modes:

- Horizontal (with bracket)
- Wall
- "DIN"

Multiple pumps installation (side by side)



RAC

RACV

RACP

MODELS		
Code	MOD.	DESCRIPTION
C	RAC	Pneumatic dosing pump.
V	RACV	Pneumatic dosing pump with electrovalve.
P	RACP	Pneumatic dosing pump with priming button.

CAPACITIES				
MODELS			HOSES	VALVE
0601	1 l/h at 6 bar	0,26 GPH at 87 PSI	4 X 6 o 6 X 8	1/2"
0603	3 l/h at 6 bar	0,79 GPH at 87 PSI	4 X 6 o 6 X 8	1/2"
0606	6 l/h at 6 bar	1,58 GPH at 87 PSI	4 X 6 o 6 X 8	1/2"
0612	12 l/h at 6 bar	3,17 GPH at 87 PSI	4 X 6 o 6 X 8	1/2"

POWER SUPPLY	
O#	without electrovalve (RAC mod. only)
11	230 VAC
10	24 VAC
18	24 VDC
20	48 VAC

Model RA **C** **0606** **V** 00 **0#**

LIQUID ENDS								
	HEAD	ORINGS	VALVE		DIAPHRAGM	HOSES		VISCOSITY Max CPS
			Body	Balls		Delivery	Suction	
V	Polypropylene	Viton ®	Polypropylene	SS	PTFE	Polyethylen	PVC	100
D	Polypropylene	Etilene Propilene	Polypropylene	SS	PTFE	Polyethylen	PVC	100
W	Polypropylene	Nytrile	Polypropylene	SS	PTFE	Polyethylen	PVC	100

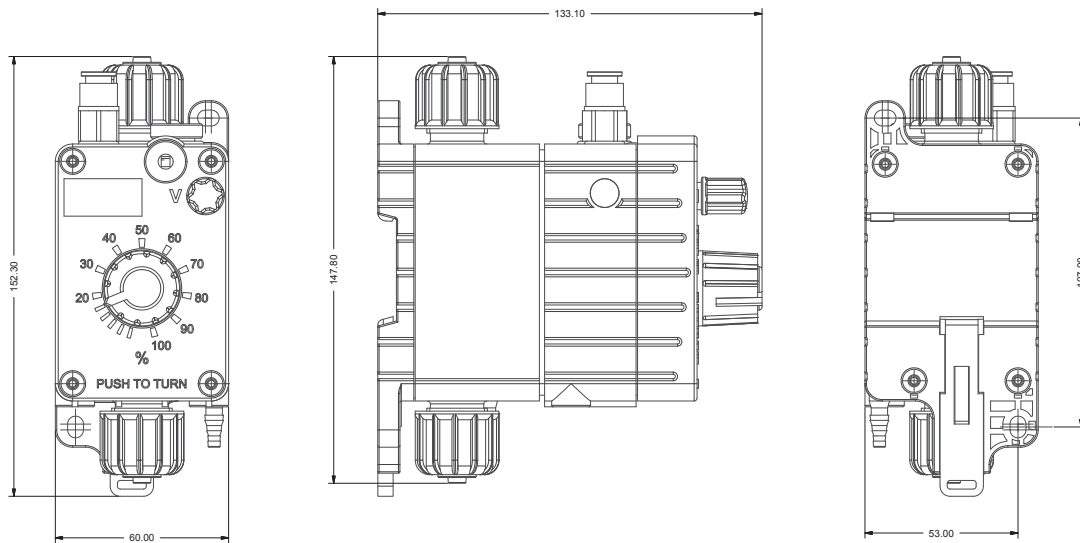
Viton ® is a registered trademark DuPont Dow Elastomers.

INFORMATION FOR RAC AND RACV						
	Strokes speed		Stroke length range reliability	Power consumption at max flow (230 VAC)	Air consumption l/min	Air supply bar
	min	max				
0601	12	120	from 30% to 100%	8 Watt (RACV with electrovalve)	2,4	6-8
0603	12	120			2,4	6-8
0606	12	120			2,4	6-8
0612	12	120			2,4	6-8
0615	12	120			2,4	6-8

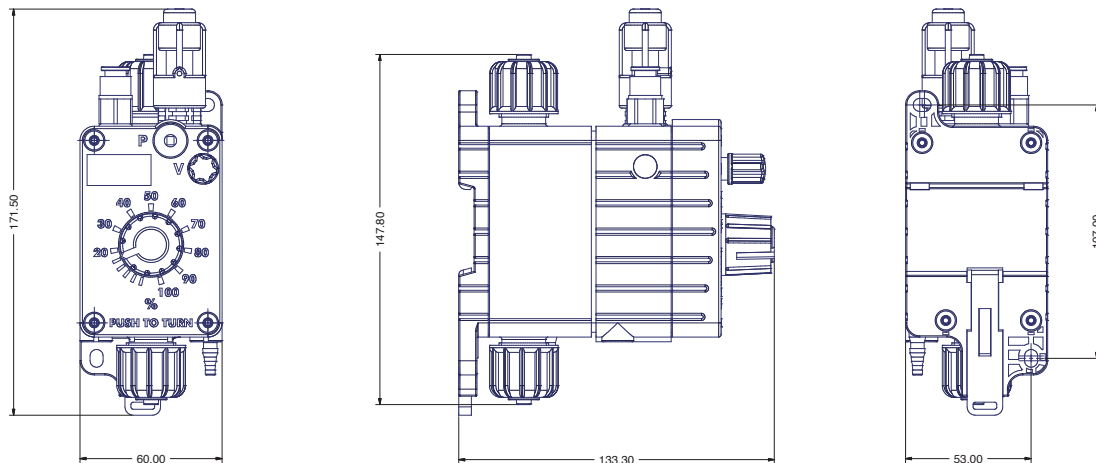
# "RAC" - "RACV" Pneumatic Dosing Pump

## Data Sheet

RAC



RACP



RACV

