

Series \PRIUS D 50 Hz

Diaphragm motor-driven dosing pumps

PRIUS series of motor-driven dosing pumps have been entirely designed and manufactured by EMEC to meet higher level requirements. PRIUS D 50 Hz pumps with constant dosing are equipped with PTFE diaphragm

and are also available in the AP version for high pressures and with three-phase or single-phase (Mono) motor. ATEX certified models are allowed to be used in potentially explosive atmospheres.

R3-10-22

PERFORMANCE



POWER SUPPLY



VENTING



FEATURES

- Horizontal mounting
- Aluminium enclosure
- Spring return mechanism
- Double ball check valve (where available)
- Manual stroke length adjustment
- Flow rate adjustment from 0 to 100% with manual adjustment on the knob
- Liquid ends available in different sizes and materials
- Tropicalized motor
- Available with ATEX certification

INSTALLATION

- Kit installation A included
- Kits installation B and C sold separately
- The pump with pump head in AISI316L does not have accessories for installation



LUBRICANT TYPE	
BRAND	MODEL
MOBIL	MOBILGEAR 632
SHELL	OMALA OIL 320
BP	ENERGOL GR-XP 320
IP	MELLANA OIL 320
ESSO	SPARTAN EP 320
AGIP	BLASIA 320

PUMP HEADS



PVDF



PP



AISI316

Series \PRIUS D 50 Hz

Diaphragm motor-driven dosing pumps

technical data
manuals
datasheets
exploded-views



PRIUS D 50 Hz

Diaphragm pump with constant dosing

FEATURES

- › PTFE diaphragm
- › Manual stroke length adjustment
- › Liquid ends available in different sizes and materials

FUNCTIONS

- › Constant dosing

MOTORS

0,37 kW 220/380 V 3-phase
0,18 kW 220/380 V 3-phase
0,55 kW 220/380 V 3-phase

PRIUS D 50 Hz Mono

Diaphragm pump with constant dosing and single-phase motor

FEATURES

- › PTFE diaphragm
- › Manual stroke length adjustment
- › Liquid ends available in different sizes and materials
- › Single-phase motor

FUNCTIONS

- › Constant dosing

MOTORS

0,37 kW 220 V single-phase
0,55 kW 220 V single-phase

PRIUS D 50Hz AP

Diaphragm pump with constant dosing for high pressure

FEATURES

- › PTFE diaphragm
- › Manual stroke length adjustment
- › Liquid ends available in different sizes and materials
- › For high pressure

FUNCTIONS

- › Constant dosing

MOTORS

0,37 kW 220/380 V 3-phase

PRIUS D 50Hz AP Mono

Diaphragm pump for high pressure with single-phase motor

FEATURES

- › PTFE diaphragm
- › Manual stroke length adjustment
- › Liquid ends available in different sizes and materials
- › For high pressure
- › Single-phase motor

FUNCTIONS

- › Constant dosing

MOTORS

0,37 kW 220 V single-phase
0,55 kW 220 V single-phase

ATEX - Category 2

Category 2

Installation areas liable to be endangered by explosive atmospheres. Pumps intended for use in areas in which explosive atmospheres are likely to occur.

	G (gas)	D (dust)
1999/92/EC	Zone 1	Zone 21

- › Explosive atmospheres consists of air and combustible matter, such as gases, vapours, mists or dusts in which the explosion spreads after ignition.
- › Atex pumps are designed in accordance with ATEX directive 2014/34/EU and can be used in areas (zones) classified according to ATEX directive 1999/92/CE.
- › Stainless steel liquid ends AISI 316 (L).

ATEX - Category 3

Category 3

Installation areas liable to be endangered by explosive atmospheres. Pumps intended for use in areas in which explosive atmospheres only rarely occur.

	G (gas)	D (dust)
1999/92/EC	Zone 2	Zone 22

- › Explosive atmospheres consists of air and combustible matter, such as gases, vapours, mists or dusts in which the explosion spreads after ignition.
- › Atex pumps are designed in accordance with ATEX directive 2014/34/EU and can be used in areas (zones) classified according to ATEX directive 1999/92/CE.

PRIUS D 50Hz Series | STANDARD

PRIUS D 50Hz THREE-PHASE

bar	l/h	Pump Head				Motor kW	PVDF hoses connection	Installation Kit
		model	stroke (mm)	SPM	reduction			
10	60	NM	3	175	8:1	0,18	G 1/2" 13 mm (i.d.)	A
10	30	NM	3	94	15:1	0,18	G 1/2" 13 mm (i.d.)	A
10	24	NM	3	70	20:1	0,18	G 1/2" 13 mm (i.d.)	A
10	12	NM	3	35	40:1	0,18	G 1/2" 13 mm (i.d.)	A
10	16	NM	4	35	40:1	0,18	G 1/2" 13 mm (i.d.)	A
10	105	TM	3	175	8:1	0,37	G 3/4" 13 mm (i.d.)	A
10	56	TM	3	94	15:1	0,37	G 3/4" 13 mm (i.d.)	A
10	42	TM	3	70	20:1	0,37	G 3/4" 13 mm (i.d.)	A
10	21	TM	3	35	40:1	0,37	G 3/4" 13 mm (i.d.)	A
7	160	TM	4	175	8:1	0,37	G 3/4" 13 mm (i.d.)	A
7	86	TM	4	94	15:1	0,37	G 3/4" 13 mm (i.d.)	A
7	64	TM	4	70	20:1	0,37	G 3/4" 13 mm (i.d.)	A
7	32	TM	4	35	40:1	0,37	G 3/4" 13 mm (i.d.)	A
5	240	TM	6	175	8:1	0,37	G 3/4" 18 mm (i.d.)	B
5	128	TM	6	94	15:1	0,37	G 3/4" 18 mm (i.d.)	B
5	96	TM	6	70	20:1	0,37	G 3/4" 18 mm (i.d.)	B
5	48	TM	6	35	40:1	0,37	G 3/4" 18 mm (i.d.)	B
2	1000	UMS	10	175	8:1	0,37	G 1 1/2" 30 mm (i.d.)	C
5	1000	UMS	10	175	8:1	0,55	G 1 1/2" 30 mm (i.d.)	C
5	520	UMS	10	94	15:1	0,37	G 1 1/2" 30 mm (i.d.)	C
4	520	UMS	10	94	15:1	0,37	G 1 1/2" 30 mm (i.d.)	C
5	390	UMS	10	70	20:1	0,37	G 1 1/2" 30 mm (i.d.)	C
5	180	UMS	10	35	40:1	0,37	G 1 1/2" 30 mm (i.d.)	C
5	350	UMS	4	175	8:1	0,37	G 1 1/2" 30 mm (i.d.)	C
5	188	UMS	4	94	15:1	0,37	G 1 1/2" 30 mm (i.d.)	C
5	140	UMS	4	70	20:1	0,37	G 1 1/2" 30 mm (i.d.)	C
5	70	UMS	4	35	40:1	0,37	G 1 1/2" 30 mm (i.d.)	C
5	440	UMS	5	175	8:1	0,37	G 1 1/2" 30 mm (i.d.)	C
5	236	UMS	5	94	15:1	0,37	G 1 1/2" 30 mm (i.d.)	C
5	176	UMS	5	70	20:1	0,37	G 1 1/2" 30 mm (i.d.)	C
5	88	UMS	5	35	40:1	0,37	G 1 1/2" 30 mm (i.d.)	C
5	530	UMS	6	175	8:1	0,37	G 1 1/2" 30 mm (i.d.)	C
5	284	UMS	6	94	15:1	0,37	G 1 1/2" 30 mm (i.d.)	C
5	212	UMS	6	70	20:1	0,37	G 1 1/2" 30 mm (i.d.)	C
5	106	UMS	6	35	40:1	0,37	G 1 1/2" 30 mm (i.d.)	C
3	750	UMS	8	175	8:1	0,37	G 1 1/2" 30 mm (i.d.)	C
5	750	UMS	8	175	8:1	0,55	G 1 1/2" 30 mm (i.d.)	C
5	380	UMS	8	94	15:1	0,37	G 1 1/2" 30 mm (i.d.)	C
5	290	UMS	8	70	20:1	0,37	G 1 1/2" 30 mm (i.d.)	C
5	141	UMS	8	35	40:1	0,37	G 1 1/2" 30 mm (i.d.)	C

PRIUS D 50Hz Series | STANDARD

PRIUS D 50Hz THREE-PHASE

bar	l/h	Pump Head				Motor kW	AISI 316L		Installation Kit
		model	stroke (mm)	SPM	reduction		hoses connection		
10	60	NM	3	175	8:1	0,18	R 1/2"	A	
10	30	NM	3	94	15:1	0,18	R 1/2"	A	
10	24	NM	3	70	20:1	0,18	R 1/2"	A	
10	12	NM	3	35	40:1	0,18	R 1/2"	A	
10	16	NM	4	35	40:1	0,18	R 1/2"	A	
10	105	TM	3	175	8:1	0,37	R 3/4"	A	
10	56	TM	3	94	15:1	0,37	R 3/4"	A	
10	42	TM	3	70	20:1	0,37	R 3/4"	A	
10	21	TM	3	35	40:1	0,37	R 3/4"	A	
7	160	TM	4	175	8:1	0,37	R 3/4"	A	
7	86	TM	4	94	15:1	0,37	R 3/4"	A	
7	64	TM	4	70	20:1	0,37	R 3/4"	A	
7	32	TM	4	35	40:1	0,37	R 3/4"	A	
5	240	TM	6	175	8:1	0,37	R 3/4"	B	
5	128	TM	6	94	15:1	0,37	R 3/4"	B	
5	96	TM	6	70	20:1	0,37	R 3/4"	B	
5	48	TM	6	35	40:1	0,37	R 3/4"	B	
2	1000	UMS	10	175	8:1	0,37	R 1"	C	
5	1000	UMS	10	175	8:1	0,55	R 1"	C	
5	520	UMS	10	94	15:1	0,37	R 1"	C	
4	520	UMS	10	94	15:1	0,37	R 1"	C	
5	390	UMS	10	70	20:1	0,37	R 1"	C	
5	180	UMS	10	35	40:1	0,37	R 1"	C	
5	350	UMS	4	175	8:1	0,37	R 1"	C	
5	188	UMS	4	94	15:1	0,37	R 1"	C	
5	140	UMS	4	70	20:1	0,37	R 1"	C	
5	70	UMS	4	35	40:1	0,37	R 1"	C	
5	440	UMS	5	175	8:1	0,37	R 1"	C	
5	236	UMS	5	94	15:1	0,37	R 1"	C	
5	176	UMS	5	70	20:1	0,37	R 1"	C	
5	88	UMS	5	35	40:1	0,37	R 1"	C	
5	530	UMS	6	175	8:1	0,37	R 1"	C	
5	284	UMS	6	94	15:1	0,37	R 1"	C	
5	212	UMS	6	70	20:1	0,37	R 1"	C	
5	106	UMS	6	35	40:1	0,37	R 1"	C	
3	750	UMS	8	175	8:1	0,37	R 1"	C	
5	750	UMS	8	175	8:1	0,55	R 1"	C	
5	380	UMS	8	94	15:1	0,37	R 1"	C	
5	290	UMS	8	70	20:1	0,37	R 1"	C	
5	141	UMS	8	35	40:1	0,37	R 1"	C	

PRIUS D 50Hz Series | STANDARD

PRIUS D 50Hz THREE-PHASE

bar	l/h	Pump Head				Motor kW	PP hoses connection	Installation Kit
		model	stroke (mm)	SPM	reduction			
10	60	NM	3	175	8:1	0,18	G 1/2" 13 mm (i.d.)	A
10	30	NM	3	94	15:1	0,18	G 1/2" 13 mm (i.d.)	A
10	24	NM	3	70	20:1	0,18	G 1/2" 13 mm (i.d.)	A
10	12	NM	3	35	40:1	0,18	G 1/2" 13 mm (i.d.)	A
10	16	NM	4	35	40:1	0,18	G 1/2" 13 mm (i.d.)	A
10	105	TM	3	175	8:1	0,37	G 3/4" 13 mm (i.d.)	A
10	56	TM	3	94	15:1	0,37	G 3/4" 13 mm (i.d.)	A
10	42	TM	3	70	20:1	0,37	G 3/4" 13 mm (i.d.)	A
10	21	TM	3	35	40:1	0,37	G 3/4" 13 mm (i.d.)	A
7	160	TM	4	175	8:1	0,37	G 3/4" 13 mm (i.d.)	A
7	86	TM	4	94	15:1	0,37	G 3/4" 13 mm (i.d.)	A
7	64	TM	4	70	20:1	0,37	G 3/4" 13 mm (i.d.)	A
7	32	TM	4	35	40:1	0,37	G 3/4" 13 mm (i.d.)	A
5	240	TM	6	175	8:1	0,37	G 3/4" 18 mm (i.d.)	B
5	128	TM	6	94	15:1	0,37	G 3/4" 18 mm (i.d.)	B
5	96	TM	6	70	20:1	0,37	G 3/4" 18 mm (i.d.)	B
5	48	TM	6	35	40:1	0,37	G 3/4" 18 mm (i.d.)	B
2	1000	UMS	10	175	8:1	0,37	G 1 1/2" 30 mm (i.d.)	C
5	1000	UMS	10	175	8:1	0,55	G 1 1/2" 30 mm (i.d.)	C
5	520	UMS	10	94	15:1	0,37	G 1 1/2" 30 mm (i.d.)	C
4	520	UMS	10	94	15:1	0,37	G 1 1/2" 30 mm (i.d.)	C
5	390	UMS	10	70	20:1	0,37	G 1 1/2" 30 mm (i.d.)	C
5	180	UMS	10	35	40:1	0,37	G 1 1/2" 30 mm (i.d.)	C
5	350	UMS	4	175	8:1	0,37	G 1 1/2" 30 mm (i.d.)	C
5	188	UMS	4	94	15:1	0,37	G 1 1/2" 30 mm (i.d.)	C
5	140	UMS	4	70	20:1	0,37	G 1 1/2" 30 mm (i.d.)	C
5	70	UMS	4	35	40:1	0,37	G 1 1/2" 30 mm (i.d.)	C
5	440	UMS	5	175	8:1	0,37	G 1 1/2" 30 mm (i.d.)	C
5	236	UMS	5	94	15:1	0,37	G 1 1/2" 30 mm (i.d.)	C
5	176	UMS	5	70	20:1	0,37	G 1 1/2" 30 mm (i.d.)	C
5	88	UMS	5	35	40:1	0,37	G 1 1/2" 30 mm (i.d.)	C
5	530	UMS	6	175	8:1	0,37	G 1 1/2" 30 mm (i.d.)	C
5	284	UMS	6	94	15:1	0,37	G 1 1/2" 30 mm (i.d.)	C
5	212	UMS	6	70	20:1	0,37	G 1 1/2" 30 mm (i.d.)	C
5	106	UMS	6	35	40:1	0,37	G 1 1/2" 30 mm (i.d.)	C
3	750	UMS	8	175	8:1	0,37	G 1 1/2" 30 mm (i.d.)	C
5	750	UMS	8	175	8:1	0,55	G 1 1/2" 30 mm (i.d.)	C
5	380	UMS	8	94	15:1	0,37	G 1 1/2" 30 mm (i.d.)	C
5	290	UMS	8	70	20:1	0,37	G 1 1/2" 30 mm (i.d.)	C
5	141	UMS	8	35	40:1	0,37	G 1 1/2" 30 mm (i.d.)	C

PRIUS D 50Hz Series | STANDARD

PRIUS D 50Hz SINGLE-PHASE

bar	l/h	Pump Head				Motor kW	PVDF hoses connection	Installation Kit
		model	stroke (mm)	SPM	reduction			
10	60	NM	3	175	8:1	0,37	G 1/2" 13 mm (i.d.)	A
10	30	NM	3	94	15:1	0,37	G 1/2" 13 mm (i.d.)	A
10	24	NM	3	70	20:1	0,37	G 1/2" 13 mm (i.d.)	A
10	12	NM	3	35	40:1	0,37	G 1/2" 13 mm (i.d.)	A
10	105	TM	3	175	8:1	0,37	G 3/4" 13 mm (i.d.)	A
10	56	TM	3	94	15:1	0,37	G 3/4" 13 mm (i.d.)	A
10	42	TM	3	70	20:1	0,37	G 3/4" 13 mm (i.d.)	A
10	21	TM	3	35	40:1	0,37	G 3/4" 13 mm (i.d.)	A
7	160	TM	4	175	8:1	0,37	G 3/4" 13 mm (i.d.)	A
7	86	TM	4	94	15:1	0,37	G 3/4" 13 mm (i.d.)	A
7	64	TM	4	70	20:1	0,37	G 3/4" 13 mm (i.d.)	A
7	32	TM	4	35	40:1	0,37	G 3/4" 13 mm (i.d.)	A
5	240	TM	6	175	8:1	0,37	G 3/4" 18 mm (i.d.)	B
5	128	TM	6	94	15:1	0,37	G 3/4" 18 mm (i.d.)	B
5	96	TM	6	70	20:1	0,37	G 3/4" 18 mm (i.d.)	B
5	48	TM	6	35	40:1	0,37	G 3/4" 18 mm (i.d.)	B
5	350	UMS	4	175	8:1	0,55	G 1 1/2" 30 mm (i.d.)	C
5	188	UMS	4	94	15:1	0,37	G 1 1/2" 30 mm (i.d.)	C
5	140	UMS	4	70	20:1	0,37	G 1 1/2" 30 mm (i.d.)	C
5	70	UMS	4	35	40:1	0,37	G 1 1/2" 30 mm (i.d.)	C
5	440	UMS	5	175	8:1	0,55	G 1 1/2" 30 mm (i.d.)	C
5	236	UMS	5	94	15:1	0,37	G 1 1/2" 30 mm (i.d.)	C
5	176	UMS	5	70	20:1	0,37	G 1 1/2" 30 mm (i.d.)	C
5	88	UMS	5	35	40:1	0,37	G 1 1/2" 30 mm (i.d.)	C
5	530	UMS	6	175	8:1	0,55	G 1 1/2" 30 mm (i.d.)	C
5	284	UMS	6	94	15:1	0,37	G 1 1/2" 30 mm (i.d.)	C
5	212	UMS	6	70	20:1	0,37	G 1 1/2" 30 mm (i.d.)	C
5	106	UMS	6	35	40:1	0,37	G 1 1/2" 30 mm (i.d.)	C

PRIUS D 50Hz Series | STANDARD

PRIUS D 50Hz SINGLE-PHASE

bar	l/h	Pump Head				Motor kW	AISI 316L hoses connection	Installation Kit
		model	stroke (mm)	SPM	reduction			
10	60	NM	3	175	8:1	0,37	R 1/2"	A
10	30	NM	3	94	15:1	0,37	R 1/2"	A
10	24	NM	3	70	20:1	0,37	R 1/2"	A
10	12	NM	3	35	40:1	0,37	R 1/2"	A
10	105	TM	3	175	8:1	0,37	R 3/4"	A
10	56	TM	3	94	15:1	0,37	R 3/4"	A
10	42	TM	3	70	20:1	0,37	R 3/4"	A
10	21	TM	3	35	40:1	0,37	R 3/4"	A
7	160	TM	4	175	8:1	0,37	R 3/4"	A
7	86	TM	4	94	15:1	0,37	R 3/4"	A
7	64	TM	4	70	20:1	0,37	R 3/4"	A
7	32	TM	4	35	40:1	0,37	R 3/4"	A
5	240	TM	6	175	8:1	0,37	R 3/4"	B
5	128	TM	6	94	15:1	0,37	R 3/4"	B
5	96	TM	6	70	20:1	0,37	R 3/4"	B
5	48	TM	6	35	40:1	0,37	R 3/4"	B
5	350	UMS	4	175	8:1	0,55	R 1"	C
5	188	UMS	4	94	15:1	0,37	R 1"	C
5	140	UMS	4	70	20:1	0,37	R 1"	C
5	70	UMS	4	35	40:1	0,37	R 1"	C
5	440	UMS	5	175	8:1	0,55	R 1"	C
5	236	UMS	5	94	15:1	0,37	R 1"	C
5	176	UMS	5	70	20:1	0,37	R 1"	C
5	88	UMS	5	35	40:1	0,37	R 1"	C
5	530	UMS	6	175	8:1	0,55	R 1"	C
5	284	UMS	6	94	15:1	0,37	R 1"	C
5	212	UMS	6	70	20:1	0,37	R 1"	C
5	106	UMS	6	35	40:1	0,37	R 1"	C

PRIUS D 50Hz Series | STANDARD

PRIUS D 50Hz SINGLE-PHASE

bar	l/h	Pump Head				Motor kW	PP hoses connection	Installation Kit
		model	stroke (mm)	SPM	reduction			
10	60	NM	3	175	8:1	0,37	G 1/2" 13 mm (i.d.)	A
10	30	NM	3	94	15:1	0,37	G 1/2" 13 mm (i.d.)	A
10	24	NM	3	70	20:1	0,37	G 1/2" 13 mm (i.d.)	A
10	12	NM	3	35	40:1	0,37	G 1/2" 13 mm (i.d.)	A
10	105	TM	3	175	8:1	0,37	G 3/4" 13 mm (i.d.)	A
10	56	TM	3	94	15:1	0,37	G 3/4" 13 mm (i.d.)	A
10	42	TM	3	70	20:1	0,37	G 3/4" 13 mm (i.d.)	A
10	21	TM	3	35	40:1	0,37	G 3/4" 13 mm (i.d.)	A
7	160	TM	4	175	8:1	0,37	G 3/4" 13 mm (i.d.)	A
7	86	TM	4	94	15:1	0,37	G 3/4" 13 mm (i.d.)	A
7	64	TM	4	70	20:1	0,37	G 3/4" 13 mm (i.d.)	A
7	32	TM	4	35	40:1	0,37	G 3/4" 13 mm (i.d.)	A
5	240	TM	6	175	8:1	0,37	G 3/4" 18 mm (i.d.)	B
5	128	TM	6	94	15:1	0,37	G 3/4" 18 mm (i.d.)	B
5	96	TM	6	70	20:1	0,37	G 3/4" 18 mm (i.d.)	B
5	48	TM	6	35	40:1	0,37	G 3/4" 18 mm (i.d.)	B
5	350	UMS	4	175	8:1	0,55	G 1 1/2" 30 mm (i.d.)	C
5	188	UMS	4	94	15:1	0,37	G 1 1/2" 30 mm (i.d.)	C
5	140	UMS	4	70	20:1	0,37	G 1 1/2" 30 mm (i.d.)	C
5	70	UMS	4	35	40:1	0,37	G 1 1/2" 30 mm (i.d.)	C
5	440	UMS	5	175	8:1	0,55	G 1 1/2" 30 mm (i.d.)	C
5	236	UMS	5	94	15:1	0,37	G 1 1/2" 30 mm (i.d.)	C
5	176	UMS	5	70	20:1	0,37	G 1 1/2" 30 mm (i.d.)	C
5	88	UMS	5	35	40:1	0,37	G 1 1/2" 30 mm (i.d.)	C
5	530	UMS	6	175	8:1	0,55	G 1 1/2" 30 mm (i.d.)	C
5	284	UMS	6	94	15:1	0,37	G 1 1/2" 30 mm (i.d.)	C
5	212	UMS	6	70	20:1	0,37	G 1 1/2" 30 mm (i.d.)	C
5	106	UMS	6	35	40:1	0,37	G 1 1/2" 30 mm (i.d.)	C

PRIUS D 50Hz Series | HIGH PRESSURE

PRIUS D 50Hz AP THREE-PHASE

bar	l/h	Pump Head				Motor kW	PVDF	Installation Kit
		model	stroke (mm)	SPM	reduction		hoses connection	
20	30	NM AP	2	175	8:1	0,37	8x10 (PVDF) / 8x12 (PVC)	•
20	16	NM AP	2	94	15:1	0,37	8x10 (PVDF) / 8x12 (PVC)	•
20	12	NM AP	2	70	20:1	0,37	8x10 (PVDF) / 8x12 (PVC)	•
20	6	NM AP	2	35	40:1	0,37	8x10 (PVDF) / 8x12 (PVC)	•

PRIUS D 50Hz AP THREE-PHASE

bar	l/h	Pump Head				Motor kW	AISI 316L	Installation Kit
		model	stroke (mm)	SPM	reduction		hoses connection	
100	4	LM AP	1,5	175	8:1	0,37	R 3/8"	•
100	2	LM AP	1,5	94	15:1	0,37	R 3/8"	•
100	1,5	LM AP	1,5	70	20:1	0,37	R 3/8"	•
50	17	MM AP	2	175	8:1	0,37	R 1/2"	•
50	9	MM AP	2	94	15:1	0,37	R 1/2"	•
50	5	MM AP	2	70	20:1	0,37	R 1/2"	•
50	2,5	MM AP	2	35	40:1	0,37	R 1/2"	•
30	28	MM AP	2	175	8:1	0,37	R 1/2"	•
30	14	MM AP	2	94	15:1	0,37	R 1/2"	•
30	10	MM AP	2	70	20:1	0,37	R 1/2"	•
30	5	MM AP	2	35	40:1	0,37	R 1/2"	•
30	76	SM AP	4	175	8:1	0,37	R 1/2"	•
30	41	SM AP	4	94	15:1	0,37	R 1/2"	•
30	30	SM AP	4	70	20:1	0,37	R 1/2"	•
30	15	SM AP	4	35	40:1	0,37	R 1/2"	•
20	91	TM AP	6	94	15:1	0,37	R 3/4"	•
20	68	TM AP	6	70	20:1	0,37	R 3/4"	•
20	34	TM AP	6	35	40:1	0,37	R 3/4"	•

PRIUS D 50Hz Series | HIGH PRESSURE

PRIUS D 50Hz AP SINGLE-PHASE

bar	l/h	Pump Head				Motor	AISI 316L	Installation Kit
		model	stroke (mm)	SPM	reduction	kW	hoses connection	
100	4	LM AP	1,5	175	8:1	0,37	R 3/8"	●
100	2	LM AP	1,5	94	15:1	0,37	R 3/8"	●
100	1,5	LM AP	1,5	70	20:1	0,37	R 3/8"	●
50	17	MM AP	2	175	8:1	0,37	R 1/2"	●
50	9	MM AP	2	94	15:1	0,37	R 1/2"	●
50	5	MM AP	2	70	20:1	0,37	R 1/2"	●
50	2,5	MM AP	2	35	40:1	0,37	R 1/2"	●
30	28	MM AP	2	175	8:1	0,37	R 1/2"	●
30	14	MM AP	2	94	15:1	0,37	R 1/2"	●
30	10	MM AP	2	70	20:1	0,37	R 1/2"	●
30	5	MM AP	2	35	40:1	0,37	R 1/2"	●
30	76	SM AP	4	175	8:1	0,37	R 1/2"	●
30	41	SM AP	4	94	15:1	0,37	R 1/2"	●
30	30	SM AP	4	70	20:1	0,37	R 1/2"	●
30	15	SM AP	4	35	40:1	0,37	R 1/2"	●
20	91	TM AP	6	94	15:1	0,55	R 3/4"	●
20	68	TM AP	6	70	20:1	0,37	R 3/4"	●
20	34	TM AP	6	35	40:1	0,37	R 3/4"	●

PRIUS D 50Hz Series | ATEX 2G/2D

PRIUS D 50Hz THREE-PHASE ATEX 2G

bar	l/h	Pump Head				Motor kW	AISI 316L (II 2G Ex h IIC T3 Gb)		Installation Kit
		model	stroke (mm)	SPM	reduction		hoses connection		
10	6	NM	1,5	35	40:1	0,25	R 1/2"	•	
10	60	NM	3	175	8:1	0,25	R 1/2"	•	
10	30	NM	3	94	15:1	0,25	R 1/2"	•	
10	24	NM	3	70	20:1	0,25	R 1/2"	•	
10	12	NM	3	35	40:1	0,25	R 1/2"	•	
10	16	NM	4	35	40:1	0,25	R 1/2"	•	
10	105	TM	3	175	8:1	0,37	R 3/4"	•	
10	56	TM	3	94	15:1	0,37	R 3/4"	•	
10	42	TM	3	70	20:1	0,37	R 3/4"	•	
10	21	TM	3	35	40:1	0,37	R 3/4"	•	
7	160	TM	4	175	8:1	0,37	R 3/4"	•	
7	86	TM	4	94	15:1	0,37	R 3/4"	•	
7	64	TM	4	70	20:1	0,37	R 3/4"	•	
7	32	TM	4	35	40:1	0,37	R 3/4"	•	
5	240	TM	6	175	8:1	0,37	R 3/4"	•	
5	128	TM	6	94	15:1	0,37	R 3/4"	•	
5	96	TM	6	70	20:1	0,37	R 3/4"	•	
5	48	TM	6	35	40:1	0,37	R 3/4"	•	

PRIUS D 50Hz THREE-PHASE ATEX 2D

bar	l/h	Pump Head				Motor kW	AISI 316L (II 2D Ex h IIC T120° Db)		Installation Kit
		model	stroke (mm)	SPM	reduction		hoses connection		
10	6	NM	1,5	35	40:1	0,25	R 1/2"	•	
10	60	NM	3	175	8:1	0,25	R 1/2"	•	
10	30	NM	3	94	15:1	0,25	R 1/2"	•	
10	24	NM	3	70	20:1	0,25	R 1/2"	•	
10	12	NM	3	35	40:1	0,25	R 1/2"	•	
10	16	NM	4	35	40:1	0,25	R 1/2"	•	
10	105	TM	3	175	8:1	0,37	R 3/4"	•	
10	56	TM	3	94	15:1	0,37	R 3/4"	•	
10	42	TM	3	70	20:1	0,37	R 3/4"	•	
10	21	TM	3	35	40:1	0,37	R 3/4"	•	
7	160	TM	4	175	8:1	0,37	R 3/4"	•	
7	86	TM	4	94	15:1	0,37	R 3/4"	•	
7	64	TM	4	70	20:1	0,37	R 3/4"	•	
7	32	TM	4	35	40:1	0,37	R 3/4"	•	
5	240	TM	6	175	8:1	0,37	R 3/4"	•	
5	128	TM	6	94	15:1	0,37	R 3/4"	•	
5	96	TM	6	70	20:1	0,37	R 3/4"	•	
5	48	TM	6	35	40:1	0,37	R 3/4"	•	

PRIUS D 50Hz Series | HIGH PRESSURE ATEX 2G/2D

PRIUS D 50Hz AP THREE-PHASE ATEX 2G

bar	l/h	Pump Head				Motor kW	AISI 316L (II 2G Ex h IIC T3 Gb)		Installation Kit
		model	stroke (mm)	SPM	reduction		hoses connection		
100	4	LM AP	1,5	175	8:1	0,37	R 3/8"	•	
100	2	LM AP	1,5	94	15:1	0,37	R 3/8"	•	
100	1,5	LM AP	1,5	70	20:1	0,37	R 3/8"	•	
50	17	MM AP	2	175	8:1	0,37	R 1/2"	•	
50	9	MM AP	2	94	15:1	0,37	R 1/2"	•	
50	5	MM AP	2	70	20:1	0,37	R 1/2"	•	
50	2,5	MM AP	2	35	40:1	0,37	R 1/2"	•	
30	28	NM AP	2	175	8:1	0,37	R 1/2"	•	
30	15	NM AP	2	94	15:1	0,37	R 1/2"	•	
30	10	NM AP	2	70	20:1	0,37	R 1/2"	•	
30	5	NM AP	2	35	40:1	0,37	R 1/2"	•	
30	76	SM AP	4	175	8:1	0,37	R 1/2"	•	
30	41	SM AP	4	94	15:1	0,37	R 1/2"	•	
30	30	SM AP	4	70	20:1	0,37	R 1/2"	•	
30	14	SM AP	4	35	40:1	0,37	R 1/2"	•	
20	91	TM AP	4	94	15:1	0,37	R 3/4"	•	
20	68	TM AP	4	70	20:1	0,37	R 3/4"	•	
20	34	TM AP	4	35	40:1	0,37	R 3/4"	•	

PRIUS D 50Hz AP THREE-PHASE ATEX 2D

bar	l/h	Pump Head				Motor kW	AISI 316L (II 2D Ex h IIC T120° Db)		Installation Kit
		model	stroke (mm)	SPM	reduction		hoses connection		
100	4	LM AP	1,5	175	8:1	0,37	R 3/8"	•	
100	2	LM AP	1,5	94	15:1	0,37	R 3/8"	•	
100	1,5	LM AP	1,5	70	20:1	0,37	R 3/8"	•	
50	17	MM AP	2	175	8:1	0,37	R 1/2"	•	
50	9	MM AP	2	94	15:1	0,37	R 1/2"	•	
50	5	MM AP	2	70	20:1	0,37	R 1/2"	•	
50	2,5	MM AP	2	35	40:1	0,37	R 1/2"	•	
30	28	NM AP	2	175	8:1	0,37	R 1/2"	•	
30	15	NM AP	2	94	15:1	0,37	R 1/2"	•	
30	10	NM AP	2	70	20:1	0,37	R 1/2"	•	
30	5	NM AP	2	35	40:1	0,37	R 1/2"	•	
30	76	SM AP	4	175	8:1	0,37	R 1/2"	•	
30	41	SM AP	4	94	15:1	0,37	R 1/2"	•	
30	30	SM AP	4	70	20:1	0,37	R 1/2"	•	
30	14	SM AP	4	35	40:1	0,37	R 1/2"	•	
20	91	TM AP	4	94	15:1	0,37	R 3/4"	•	
20	68	TM AP	4	70	20:1	0,37	R 3/4"	•	
20	34	TM AP	4	35	40:1	0,37	R 3/4"	•	

PRIUS D 50Hz Series | ATEX 3G/3D

PRIUS D 50Hz THREE-PHASE ATEX 3G

bar	l/h	Pump Head				Motor kW	PVDF (II 3G Ex h IIC T3 Gc)		Installation Kit
		model	stroke (mm)	SPM	reduction		hoses connection		
10	60	NM	3	175	8:1	0,18	/	A	
10	30	NM	3	94	15:1	0,18	/	A	
10	24	NM	3	70	20:1	0,18	/	A	
10	12	NM	3	35	40:1	0,18	/	A	
10	16	NM	4	35	40:1	0,18	/	A	
10	105	TM	3	175	8:1	0,37	/	A	
10	56	TM	3	94	15:1	0,37	/	A	
10	42	TM	3	70	20:1	0,37	/	A	
10	21	NM	3	35	40:1	0,37	/	A	
7	160	TM	4	175	8:1	0,37	/	A	
7	86	TM	4	94	15:1	0,37	/	A	
7	64	TM	4	70	20:1	0,37	/	A	
7	32	TM	4	35	40:1	0,37	/	A	
5	240	TM	6	175	8:1	0,37	/	B	
5	128	TM	6	94	15:1	0,37	/	B	
5	96	TM	6	70	20:1	0,37	/	B	
5	48	TM	6	35	40:1	0,37	/	B	
5	1000	UMS	10	175	8:1	0,55	/	C	
2	1000	UMS	10	175	8:1	0,37	/	C	
5	520	UMS	10	94	15:1	0,37	/	C	
4	520	UMS	10	94	15:1	0,37	/	C	
5	390	UMS	10	70	20:1	0,37	/	C	
5	180	UMS	10	35	40:1	0,37	/	C	
5	350	UMS	4	175	8:1	0,37	/	C	
5	188	UMS	4	94	15:1	0,37	/	C	
5	140	UMS	4	70	20:1	0,37	/	C	
5	70	UMS	4	35	40:1	0,37	/	C	
5	440	UMS	5	175	8:1	0,37	/	C	
5	236	UMS	5	94	15:1	0,37	/	C	
5	176	UMS	5	70	20:1	0,37	/	C	
5	88	UMS	5	35	40:1	0,37	/	C	
5	530	UMS	6	175	8:1	0,37	/	C	
5	284	UMS	6	94	15:1	0,37	/	C	
5	212	UMS	6	70	20:1	0,37	/	C	
5	106	UMS	6	35	40:1	0,37	/	C	
5	750	UMS	8	175	8:1	0,55	/	C	
3	750	UMS	8	175	8:1	0,37	/	C	
5	380	UMS	8	94	15:1	0,37	/	C	
5	290	UMS	8	70	20:1	0,37	/	C	
5	141	UMS	8	35	40:1	0,37	/	C	

PRIUS D 50Hz Series | ATEX 3G/3D

PRIUS D 50Hz THREE-PHASE ATEX 3G

bar	l/h	Pump Head				Motor	AISI 316L (II 3G Ex h IIC T3 Gc)	Installation Kit
		model	stroke (mm)	SPM	reduction	kW	hoses connection	
5	1000	UMS	10	175	8:1	0,55	/	C
2	1000	UMS	10	175	8:1	0,37	/	C
5	520	UMS	10	94	15:1	0,37	/	C
4	520	UMS	10	94	15:1	0,37	/	C
5	390	UMS	10	70	20:1	0,37	/	C
5	180	UMS	10	35	40:1	0,37	/	C
5	350	UMS	4	175	8:1	0,37	/	C
5	188	UMS	4	94	15:1	0,37	/	C
5	140	UMS	4	70	20:1	0,37	/	C
5	70	UMS	4	35	40:1	0,37	/	C
5	440	UMS	5	175	8:1	0,37	/	C
5	236	UMS	5	94	15:1	0,37	/	C
5	176	UMS	5	70	20:1	0,37	/	C
5	88	UMS	5	35	40:1	0,37	/	C
5	530	UMS	6	175	8:1	0,37	/	C
5	284	UMS	6	94	15:1	0,37	/	C
5	212	UMS	6	70	20:1	0,37	/	C
5	106	UMS	6	35	40:1	0,37	/	C
5	750	UMS	8	175	8:1	0,55	/	C
3	750	UMS	8	175	8:1	0,37	/	C
5	380	UMS	8	94	15:1	0,37	/	C
5	290	UMS	8	70	20:1	0,37	/	C
5	141	UMS	8	35	40:1	0,37	/	C

PRIUS D 50Hz Series | ATEX 3G/3D

PRIUS D 50Hz THREE-PHASE ATEX 3G

bar	l/h	Pump Head				Motor kW	PP (II 3G Ex h IIC T3 Gc)		Installation Kit
		model	stroke (mm)	SPM	reduction		hoses connection		
10	60	NM	3	175	8:1	0,18	/	A	
10	30	NM	3	94	15:1	0,18	/	A	
10	24	NM	3	70	20:1	0,18	/	A	
10	12	NM	3	35	40:1	0,18	/	A	
10	16	NM	4	35	40:1	0,18	/	A	
10	105	TM	3	175	8:1	0,37	/	A	
10	56	TM	3	94	15:1	0,37	/	A	
10	42	TM	3	70	20:1	0,37	/	A	
10	21	NM	3	35	40:1	0,37	/	A	
7	160	TM	4	175	8:1	0,37	/	A	
7	86	TM	4	94	15:1	0,37	/	A	
7	64	TM	4	70	20:1	0,37	/	A	
7	32	TM	4	35	40:1	0,37	/	A	
5	240	TM	6	175	8:1	0,37	/	B	
5	128	TM	6	94	15:1	0,37	/	B	
5	96	TM	6	70	20:1	0,37	/	B	
5	48	TM	6	35	40:1	0,37	/	B	
5	1000	UMS	10	175	8:1	0,55	/	C	
2	1000	UMS	10	175	8:1	0,37	/	C	
5	520	UMS	10	94	15:1	0,37	/	C	
4	520	UMS	10	94	15:1	0,37	/	C	
5	390	UMS	10	70	20:1	0,37	/	C	
5	180	UMS	10	35	40:1	0,37	/	C	
5	350	UMS	4	175	8:1	0,37	/	C	
5	188	UMS	4	94	15:1	0,37	/	C	
5	140	UMS	4	70	20:1	0,37	/	C	
5	70	UMS	4	35	40:1	0,37	/	C	
5	440	UMS	5	175	8:1	0,37	/	C	
5	236	UMS	5	94	15:1	0,37	/	C	
5	176	UMS	5	70	20:1	0,37	/	C	
5	88	UMS	5	35	40:1	0,37	/	C	
5	530	UMS	6	175	8:1	0,37	/	C	
5	284	UMS	6	94	15:1	0,37	/	C	
5	212	UMS	6	70	20:1	0,37	/	C	
5	106	UMS	6	35	40:1	0,37	/	C	
5	750	UMS	8	175	8:1	0,55	/	C	
3	750	UMS	8	175	8:1	0,37	/	C	
5	380	UMS	8	94	15:1	0,37	/	C	
5	290	UMS	8	70	20:1	0,37	/	C	
5	141	UMS	8	35	40:1	0,37	/	C	

PRIUS D 50Hz Series | ATEX 3G/3D



PRIUS D 50Hz THREE-PHASE ATEX 3D

bar	l/h	Pump Head				Motor kW	PVDF (II 3D Ex h IIC T120° Dc)		Installation Kit
		model	stroke (mm)	SPM	reduction		hoses connection		
10	60	NM	3	175	8:1	0,25	/	A	
10	30	NM	3	94	15:1	0,25	/	A	
10	24	NM	3	70	20:1	0,25	/	A	
10	12	NM	3	35	40:1	0,25	/	A	
10	16	NM	4	35	40:1	0,25	/	A	
10	105	TM	3	175	8:1	0,37	/	A	
10	56	TM	3	94	15:1	0,37	/	A	
10	42	TM	3	70	20:1	0,37	/	A	
10	21	NM	3	35	40:1	0,37	/	A	
7	160	TM	4	175	8:1	0,37	/	A	
7	86	TM	4	94	15:1	0,37	/	A	
7	64	TM	4	70	20:1	0,37	/	A	
7	32	TM	4	35	40:1	0,37	/	A	
5	240	TM	6	175	8:1	0,37	/	B	
5	128	TM	6	94	15:1	0,37	/	B	
5	96	TM	6	70	20:1	0,37	/	B	
5	48	TM	6	35	40:1	0,37	/	B	
5	1000	UMS	10	175	8:1	0,25	/	C	
2	1000	UMS	10	175	8:1	0,37	/	C	
5	520	UMS	10	94	15:1	0,37	/	C	
4	520	UMS	10	94	15:1	0,37	/	C	
5	390	UMS	10	70	20:1	0,37	/	C	
5	180	UMS	10	35	40:1	0,37	/	C	
5	350	UMS	4	175	8:1	0,37	/	C	
5	188	UMS	4	94	15:1	0,37	/	C	
5	140	UMS	4	70	20:1	0,37	/	C	
5	70	UMS	4	35	40:1	0,37	/	C	
5	440	UMS	5	175	8:1	0,37	/	C	
5	236	UMS	5	94	15:1	0,37	/	C	
5	176	UMS	5	70	20:1	0,37	/	C	
5	88	UMS	5	35	40:1	0,37	/	C	
5	530	UMS	6	175	8:1	0,37	/	C	
5	284	UMS	6	94	15:1	0,37	/	C	
5	212	UMS	6	70	20:1	0,37	/	C	
5	106	UMS	6	35	40:1	0,37	/	C	
5	750	UMS	8	175	8:1	0,25	/	C	
3	750	UMS	8	175	8:1	0,37	/	C	
5	380	UMS	8	94	15:1	0,37	/	C	
5	290	UMS	8	70	20:1	0,37	/	C	
5	141	UMS	8	35	40:1	0,37	/	C	

PRIUS D 50Hz Series | ATEX 3G/3D

PRIUS D 50Hz THREE-PHASE ATEX 3D

bar	l/h	Pump Head				Motor kW	AISI 316L (II 3D Ex h IIC T120° Dc) hoses connection	Installation Kit
		model	stroke (mm)	SPM	reduction			
5	1000	UMS	10	175	8:1	0,55	/	C
2	1000	UMS	10	175	8:1	0,37	/	C
5	520	UMS	10	94	15:1	0,37	/	C
4	520	UMS	10	94	15:1	0,37	/	C
5	390	UMS	10	70	20:1	0,37	/	C
5	180	UMS	10	35	40:1	0,37	/	C
5	350	UMS	4	175	8:1	0,37	/	C
5	188	UMS	4	94	15:1	0,37	/	C
5	140	UMS	4	70	20:1	0,37	/	C
5	70	UMS	4	35	40:1	0,37	/	C
5	440	UMS	5	175	8:1	0,37	/	C
5	236	UMS	5	94	15:1	0,37	/	C
5	176	UMS	5	70	20:1	0,37	/	C
5	88	UMS	5	35	40:1	0,37	/	C
5	530	UMS	6	175	8:1	0,37	/	C
5	284	UMS	6	94	15:1	0,37	/	C
5	212	UMS	6	70	20:1	0,37	/	C
5	106	UMS	6	35	40:1	0,37	/	C
5	750	UMS	8	175	8:1	0,55	/	C
3	750	UMS	8	175	8:1	0,37	/	C
5	380	UMS	8	94	15:1	0,37	/	C
5	290	UMS	8	70	20:1	0,37	/	C
5	141	UMS	8	35	40:1	0,37	/	C

PRIUS D 50Hz Series | ATEX 3G/3D

PRIUS D 50Hz THREE-PHASE ATEX 3D

bar	l/h	Pump Head				Motor kW	PP (II 3D Ex h IIC T120° Dc)		Installation Kit
		model	stroke (mm)	SPM	reduction		hoses connection	I	
10	60	NM	3	175	8:1	0,18	/	A	
10	30	NM	3	94	15:1	0,18	/	A	
10	24	NM	3	70	20:1	0,18	/	A	
10	12	NM	3	35	40:1	0,18	/	A	
10	16	NM	4	35	40:1	0,18	/	A	
10	105	TM	3	175	8:1	0,37	/	A	
10	56	TM	3	94	15:1	0,37	/	A	
10	42	TM	3	70	20:1	0,37	/	A	
10	21	NM	3	35	40:1	0,37	/	A	
7	160	TM	4	175	8:1	0,37	/	A	
7	86	TM	4	94	15:1	0,37	/	A	
7	64	TM	4	70	20:1	0,37	/	A	
7	32	TM	4	35	40:1	0,37	/	A	
5	240	TM	6	175	8:1	0,37	/	B	
5	128	TM	6	94	15:1	0,37	/	B	
5	96	TM	6	70	20:1	0,37	/	B	
5	48	TM	6	35	40:1	0,37	/	B	
5	1000	UMS	10	175	8:1	0,55	/	C	
2	1000	UMS	10	175	8:1	0,37	/	C	
5	520	UMS	10	94	15:1	0,37	/	C	
4	520	UMS	10	94	15:1	0,37	/	C	
5	390	UMS	10	70	20:1	0,37	/	C	
5	180	UMS	10	35	40:1	0,37	/	C	
5	350	UMS	4	175	8:1	0,37	/	C	
5	188	UMS	4	94	15:1	0,37	/	C	
5	140	UMS	4	70	20:1	0,37	/	C	
5	70	UMS	4	35	40:1	0,37	/	C	
5	440	UMS	5	175	8:1	0,37	/	C	
5	236	UMS	5	94	15:1	0,37	/	C	
5	176	UMS	5	70	20:1	0,37	/	C	
5	88	UMS	5	35	40:1	0,37	/	C	
5	530	UMS	6	175	8:1	0,37	/	C	
5	284	UMS	6	94	15:1	0,37	/	C	
5	212	UMS	6	70	20:1	0,37	/	C	
5	106	UMS	6	35	40:1	0,37	/	C	
5	750	UMS	8	175	8:1	0,55	/	C	
3	750	UMS	8	175	8:1	0,37	/	C	
5	380	UMS	8	94	15:1	0,37	/	C	
5	290	UMS	8	70	20:1	0,37	/	C	
5	141	UMS	8	35	40:1	0,37	/	C	

Series PRIUS D 60 Hz

Diaphragm motor-driven dosing pumps

PRIUS series of motor-driven dosing pumps have been entirely designed and manufactured by EMEC to meet higher level requirements. PRIUS D 60 Hz pumps with constant dosing are equipped with PTFE diaphragm and are also available in the AP version for high pressures

and with three-phase or single-phase (Mono) motor. ATEX certified models are allowed to be used in potentially explosive atmospheres.

PERFORMANCE

950
l/h

100
bar

POWER SUPPLY

380
VAC

220
VAC

115
VAC

VENTING

MANUAL

SELF



PRIUS D 60Hz Series | STANDARD

PRIUS D 60Hz THREE-PHASE

bar	l/h	Pump Head				Motor kW	PVDF hoses connection	Installation Kit
		model	stroke (mm)	SPM	reduction			
10	55	NM	3	175	10:1	0,18	G 1/2" 13 mm (i.d.)	A
10	27	NM	3	87	20:1	0,18	G 1/2" 13 mm (i.d.)	A
10	14	NM	3	44	40:1	0,18	G 1/2" 13 mm (i.d.)	A
10	100	TM	3	175	10:1	0,37	G 3/4" 13 mm (i.d.)	A
10	50	TM	3	87	20:1	0,37	G 3/4" 13 mm (i.d.)	A
10	25	TM	3	44	40:1	0,37	G 3/4" 13 mm (i.d.)	A
7	150	TM	4	175	10:1	0,37	G 3/4" 13 mm (i.d.)	A
7	75	TM	4	87	20:1	0,37	G 3/4" 13 mm (i.d.)	A
7	37	TM	4	44	40:1	0,37	G 3/4" 13 mm (i.d.)	A
5	230	TM	6	175	10:1	0,37	G 3/4" 18 mm (i.d.)	B
5	115	TM	6	87	20:1	0,37	G 3/4" 18 mm (i.d.)	B
5	57	TM	6	44	40:1	0,37	G 3/4" 18 mm (i.d.)	B
2	950	UMS	10	175	10:1	0,37	G 1 1/2" 30 mm (i.d.)	C
5	950	UMS	10	175	10:1	0,55	G 1 1/2" 30 mm (i.d.)	C
2	472	UMS	10	87	20:1	0,37	G 1 1/2" 30 mm (i.d.)	C
2	238	UMS	10	44	40:1	0,37	G 1 1/2" 30 mm (i.d.)	C
5	335	UMS	4	175	10:1	0,37	G 1 1/2" 30 mm (i.d.)	C
5	165	UMS	4	87	20:1	0,37	G 1 1/2" 30 mm (i.d.)	C
5	84	UMS	4	44	40:1	0,37	G 1 1/2" 30 mm (i.d.)	C
5	420	UMS	5	175	10:1	0,37	G 1 1/2" 30 mm (i.d.)	C
5	210	UMS	5	87	20:1	0,37	G 1 1/2" 30 mm (i.d.)	C
5	105	UMS	5	44	40:1	0,37	G 1 1/2" 30 mm (i.d.)	C
5	505	UMS	6	175	10:1	0,37	G 1 1/2" 30 mm (i.d.)	C
5	250	UMS	6	87	20:1	0,37	G 1 1/2" 30 mm (i.d.)	C
5	126	UMS	6	44	40:1	0,37	G 1 1/2" 30 mm (i.d.)	C
3	720	UMS	8	175	10:1	0,37	G 1 1/2" 30 mm (i.d.)	C
3	357	UMS	8	87	20:1	0,37	G 1 1/2" 30 mm (i.d.)	C
3	181	UMS	8	44	40:1	0,37	G 1 1/2" 30 mm (i.d.)	C
5	720	UMS	8	175	10:1	0,55	G 1 1/2" 30 mm (i.d.)	C

PRIUS D 60Hz Series | STANDARD

PRIUS D 60Hz THREE-PHASE

bar	l/h	Pump Head				Motor	AISI 316L	Installation Kit
		model	stroke (mm)	SPM	reduction	kW	hoses connection	
10	55	NM	3	175	10:1	0,18	R 1/2"	A
10	27	NM	3	87	20:1	0,18	R 1/2"	A
10	14	NM	3	44	40:1	0,18	R 1/2"	A
10	100	TM	3	175	10:1	0,37	R 3/4"	A
10	50	TM	3	87	20:1	0,37	R 3/4"	A
10	25	TM	3	44	40:1	0,37	R 3/4"	A
7	150	TM	4	175	10:1	0,37	R 3/4"	A
7	75	TM	4	87	20:1	0,37	R 3/4"	A
7	37	TM	4	44	40:1	0,37	R 3/4"	A
5	230	TM	6	175	10:1	0,37	R 3/4"	B
5	115	TM	6	87	20:1	0,37	R 3/4"	B
5	57	TM	6	44	40:1	0,37	R 3/4"	B
2	950	UMS	10	175	10:1	0,37	R 1"	C
5	950	UMS	10	175	10:1	0,55	R 1"	C
2	472	UMS	10	87	20:1	0,37	R 1"	C
2	238	UMS	10	44	40:1	0,37	R 1"	C
5	335	UMS	4	175	10:1	0,37	R 1"	C
5	165	UMS	4	87	20:1	0,37	R 1"	C
5	84	UMS	4	44	40:1	0,37	R 1"	C
5	420	UMS	5	175	10:1	0,37	R 1"	C
5	210	UMS	5	87	20:1	0,37	R 1"	C
5	105	UMS	5	44	40:1	0,37	R 1"	C
5	505	UMS	6	175	10:1	0,37	R 1"	C
5	250	UMS	6	87	20:1	0,37	R 1"	C
5	126	UMS	6	44	40:1	0,37	R 1"	C
3	720	UMS	8	175	10:1	0,37	R 1"	C
3	357	UMS	8	87	20:1	0,37	R 1"	C
3	181	UMS	8	44	40:1	0,37	R 1"	C
5	720	UMS	8	175	10:1	0,55	R 1"	C

PRIUS D 60Hz Series | STANDARD

PRIUS D 60Hz THREE-PHASE

bar	l/h	Pump Head				Motor kW	PP hoses connection	Installation Kit
		model	stroke (mm)	SPM	reduction			
10	55	NM	3	175	10:1	0,18	G 1/2" 13 mm (i.d.)	A
10	27	NM	3	87	20:1	0,18	G 1/2" 13 mm (i.d.)	A
10	14	NM	3	44	40:1	0,18	G 1/2" 13 mm (i.d.)	A
10	100	TM	3	175	10:1	0,37	G 3/4" 13 mm (i.d.)	A
10	50	TM	3	87	20:1	0,37	G 3/4" 13 mm (i.d.)	A
10	25	TM	3	44	40:1	0,37	G 3/4" 13 mm (i.d.)	A
7	150	TM	4	175	10:1	0,37	G 3/4" 13 mm (i.d.)	A
7	75	TM	4	87	20:1	0,37	G 3/4" 13 mm (i.d.)	A
7	37	TM	4	44	40:1	0,37	G 3/4" 13 mm (i.d.)	A
5	230	TM	6	175	10:1	0,37	G 3/4" 18 mm (i.d.)	B
5	115	TM	6	87	20:1	0,37	G 3/4" 18 mm (i.d.)	B
5	57	TM	6	44	40:1	0,37	G 3/4" 18 mm (i.d.)	B
2	950	UMS	10	175	10:1	0,37	G 1 1/2" 30 mm (i.d.)	C
5	950	UMS	10	175	10:1	0,55	G 1 1/2" 30 mm (i.d.)	C
2	472	UMS	10	87	20:1	0,37	G 1 1/2" 30 mm (i.d.)	C
2	238	UMS	10	44	40:1	0,37	G 1 1/2" 30 mm (i.d.)	C
5	335	UMS	4	175	10:1	0,37	G 1 1/2" 30 mm (i.d.)	C
5	165	UMS	4	87	20:1	0,37	G 1 1/2" 30 mm (i.d.)	C
5	84	UMS	4	44	40:1	0,37	G 1 1/2" 30 mm (i.d.)	C
5	420	UMS	5	175	10:1	0,37	G 1 1/2" 30 mm (i.d.)	C
5	210	UMS	5	87	20:1	0,37	G 1 1/2" 30 mm (i.d.)	C
5	105	UMS	5	44	40:1	0,37	G 1 1/2" 30 mm (i.d.)	C
5	505	UMS	6	175	10:1	0,37	G 1 1/2" 30 mm (i.d.)	C
5	250	UMS	6	87	20:1	0,37	G 1 1/2" 30 mm (i.d.)	C
5	126	UMS	6	44	40:1	0,37	G 1 1/2" 30 mm (i.d.)	C
3	720	UMS	8	175	10:1	0,37	G 1 1/2" 30 mm (i.d.)	C
3	357	UMS	8	87	20:1	0,37	G 1 1/2" 30 mm (i.d.)	C
3	181	UMS	8	44	40:1	0,37	G 1 1/2" 30 mm (i.d.)	C
5	720	UMS	8	175	10:1	0,55	G 1 1/2" 30 mm (i.d.)	C

PRIUS D 60Hz Series | STANDARD

PRIUS D 60Hz SINGLE-PHASE

bar	l/h	Pump Head				Motor kW	PVDF hoses connection	Installation Kit
		model	stroke (mm)	SPM	reduction			
10	55	NM	3	175	10:1	0,37	G 1/2" 13 mm (i.d.)	A
10	27	NM	3	87	20:1	0,37	G 1/2" 13 mm (i.d.)	A
10	14	NM	3	44	40:1	0,37	G 1/2" 13 mm (i.d.)	A
10	100	TM	3	175	10:1	0,37	G 3/4" 13 mm (i.d.)	A
10	50	TM	3	87	20:1	0,37	G 3/4" 13 mm (i.d.)	A
10	25	TM	3	44	40:1	0,37	G 3/4" 13 mm (i.d.)	A
7	150	TM	4	175	10:1	0,37	G 3/4" 13 mm (i.d.)	A
7	75	TM	4	87	20:1	0,37	G 3/4" 13 mm (i.d.)	A
7	37	TM	4	44	40:1	0,37	G 3/4" 13 mm (i.d.)	A
5	230	TM	6	175	10:1	0,37	G 3/4" 18 mm (i.d.)	B
5	115	TM	6	87	20:1	0,37	G 3/4" 18 mm (i.d.)	B
5	57	TM	6	44	40:1	0,37	G 3/4" 18 mm (i.d.)	B
5	335	UMS	4	175	10:1	0,55	G 1 1/2" 30 mm (i.d.)	C
5	165	UMS	4	87	20:1	0,37	G 1 1/2" 30 mm (i.d.)	C
5	84	UMS	4	44	40:1	0,37	G 1 1/2" 30 mm (i.d.)	C
5	420	UMS	5	175	10:1	0,55	G 1 1/2" 30 mm (i.d.)	C
5	210	UMS	5	87	20:1	0,37	G 1 1/2" 30 mm (i.d.)	C
5	105	UMS	5	44	40:1	0,37	G 1 1/2" 30 mm (i.d.)	C
5	505	UMS	6	175	10:1	0,55	G 1 1/2" 30 mm (i.d.)	C
5	250	UMS	6	87	20:1	0,37	G 1 1/2" 30 mm (i.d.)	C
5	126	UMS	6	44	40:1	0,37	G 1 1/2" 30 mm (i.d.)	C

PRIUS D 60Hz SINGLE-PHASE

bar	l/h	Pump Head				Motor kW	AISI 316L hoses connection	Installation Kit
		model	stroke (mm)	SPM	reduction			
10	55	NM	3	175	10:1	0,37	R 1/2"	A
10	27	NM	3	87	20:1	0,37	R 1/2"	A
10	14	NM	3	44	40:1	0,37	R 1/2"	A
10	100	TM	3	175	10:1	0,37	R 3/4"	A
10	50	TM	3	87	20:1	0,37	R 3/4"	A
10	25	TM	3	44	40:1	0,37	R 3/4"	A
7	150	TM	4	175	10:1	0,37	R 3/4"	A
7	75	TM	4	87	20:1	0,37	R 3/4"	A
7	37	TM	4	44	40:1	0,37	R 3/4"	A
5	230	TM	6	175	10:1	0,37	R 3/4"	B
5	115	TM	6	87	20:1	0,37	R 3/4"	B
5	57	TM	6	44	40:1	0,37	R 3/4"	B
5	335	UMS	4	175	10:1	0,55	R 1"	C
5	165	UMS	4	87	20:1	0,37	R 1"	C
5	84	UMS	4	44	40:1	0,37	R 1"	C
5	420	UMS	5	175	10:1	0,55	R 1"	C
5	210	UMS	5	87	20:1	0,37	R 1"	C
5	105	UMS	5	44	40:1	0,37	R 1"	C
5	505	UMS	6	175	10:1	0,55	R 1"	C
5	250	UMS	6	87	20:1	0,37	R 1"	C
5	126	UMS	6	44	40:1	0,37	R 1"	C

PRIUS D 60Hz Series | STANDARD

PRIUS D 60Hz SINGLE-PHASE

bar	l/h	Pump Head				Motor kW	PP hoses connection	Installation Kit
		model	stroke (mm)	SPM	reduction			
10	55	NM	3	175	10:1	0,37	G 1/2" 13 mm (i.d.)	A
10	27	NM	3	87	20:1	0,37	G 1/2" 13 mm (i.d.)	A
10	14	NM	3	44	40:1	0,37	G 1/2" 13 mm (i.d.)	A
10	100	TM	3	175	10:1	0,37	G 3/4" 13 mm (i.d.)	A
10	50	TM	3	87	20:1	0,37	G 3/4" 13 mm (i.d.)	A
10	25	TM	3	44	40:1	0,37	G 3/4" 13 mm (i.d.)	A
7	150	TM	4	175	10:1	0,37	G 3/4" 13 mm (i.d.)	A
7	75	TM	4	87	20:1	0,37	G 3/4" 13 mm (i.d.)	A
7	37	TM	4	44	40:1	0,37	G 3/4" 13 mm (i.d.)	A
5	230	TM	6	175	10:1	0,37	G 3/4" 18 mm (i.d.)	B
5	115	TM	6	87	20:1	0,37	G 3/4" 18 mm (i.d.)	B
5	57	TM	6	44	40:1	0,37	G 3/4" 18 mm (i.d.)	B
5	335	UMS	4	175	10:1	0,55	G 1 1/2" 30 mm (i.d.)	C
5	165	UMS	4	87	20:1	0,37	G 1 1/2" 30 mm (i.d.)	C
5	84	UMS	4	44	40:1	0,37	G 1 1/2" 30 mm (i.d.)	C
5	420	UMS	5	175	10:1	0,55	G 1 1/2" 30 mm (i.d.)	C
5	210	UMS	5	87	20:1	0,37	G 1 1/2" 30 mm (i.d.)	C
5	105	UMS	5	44	40:1	0,37	G 1 1/2" 30 mm (i.d.)	C
5	505	UMS	6	175	10:1	0,55	G 1 1/2" 30 mm (i.d.)	C
5	250	UMS	6	87	20:1	0,37	G 1 1/2" 30 mm (i.d.)	C
5	126	UMS	6	44	40:1	0,37	G 1 1/2" 30 mm (i.d.)	C

PRIUS D 60Hz Series | HIGH PRESSURE

PRIUS D 60Hz AP THREE-PHASE

bar	l/h	Pump Head				Motor kW	PVDF		Installation Kit
		model	stroke (mm)	SPM	reduction		hoses connection		
20	27	NM AP	2	175	10:1	0,37	8x10 (PVDF) / 8x12 (PVC)		●
20	13	NM AP	2	87	20:1	0,37	8x10 (PVDF) / 8x12 (PVC)		●
20	7	NM AP	2	44	40:1	0,37	8x10 (PVDF) / 8x12 (PVC)		●

PRIUS D 60Hz AP THREE-PHASE

bar	l/h	Pump Head				Motor kW	AISI 316L		Installation Kit
		model	stroke (mm)	SPM	reduction		hoses connection		
100	3	LM AP	1,5	175	10:1	0,37	R 3/8"		●
100	1,5	LM AP	1,5	87	20:1	0,37	R 3/8"		●
50	14	MM AP	2	175	10:1	0,37	R 1/2"		●
50	7	MM AP	2	87	20:1	0,37	R 1/2"		●
50	3,5	MM AP	2	44	40:1	0,37	R 1/2"		●
30	26	NM AP	2	175	10:1	0,37	R 1/2"		●
30	13	NM AP	2	87	20:1	0,37	R 1/2"		●
30	6	NM AP	2	44	40:1	0,37	R 1/2"		●
30	72	SM AP	4	175	10:1	0,37	R 1/2"		●
30	36	SM AP	4	87	20:1	0,37	R 1/2"		●
30	18	SM AP	4	44	40:1	0,37	R 1/2"		●
20	153	TM AP	6	175	10:1	0,37	R 3/4"		●
20	76	TM AP	6	87	20:1	0,37	R 3/4"		●
20	38	TM AP	6	44	40:1	0,37	R 3/4"		●

PRIUS D 60Hz Series | HIGH PRESSURE

PRIUS D 60Hz AP SINGLE-PHASE

bar	l/h	Pump Head				Motor kW	AISI 316L hoses connection	Installation Kit
		model	stroke (mm)	SPM	reduction			
100	3	LM AP	1,5	175	10:1	0,37	R 3/8"	●
100	1,5	LM AP	1,5	87	20:1	0,37	R 3/8"	●
50	14	MM AP	2	175	10:1	0,37	R 1/2"	●
50	7	MM AP	2	87	20:1	0,37	R 1/2"	●
50	3,5	MM AP	2	44	40:1	0,37	R 1/2"	●
30	26	NM AP	2	175	10:1	0,37	R 1/2"	●
30	13	NM AP	2	87	20:1	0,37	R 1/2"	●
30	6	NM AP	2	44	40:1	0,37	R 1/2"	●
30	72	SM AP	4	175	10:1	0,37	R 1/2"	●
30	36	SM AP	4	87	20:1	0,37	R 1/2"	●
30	18	SM AP	4	44	40:1	0,37	R 1/2"	●
20	153	TM AP	6	175	10:1	0,55	R 3/4"	●
20	76	TM AP	6	87	20:1	0,37	R 3/4"	●
20	38	TM AP	6	44	40:1	0,37	R 3/4"	●

PRIUS D 60Hz Series | ATEX 2G/2D

PRIUS D 60Hz THREE-PHASE ATEX 2G

bar	l/h	Pump Head				Motor kW	AISI 316L (II 2G Ex h IIC T3 Gb)		Installation Kit
		model	stroke (mm)	SPM	reduction		hoses connection		
10	7	NM	1,5	35	40:1	0,37	R 1/2"	•	
10	55	NM	3	175	10:1	0,37	R 1/2"	•	
10	27	NM	3	70	20:1	0,37	R 1/2"	•	
10	14	NM	3	35	40:1	0,37	R 1/2"	•	
10	100	TM	3	175	10:1	0,37	R 1/2"	•	
10	50	TM	3	87	20:1	0,37	R 3/4"	•	
10	25	TM	3	44	40:1	0,37	R 3/4"	•	
7	150	TM	4	175	10:1	0,37	R 3/4"	•	
7	75	TM	4	87	20:1	0,37	R 3/4"	•	
7	37	TM	4	44	40:1	0,37	R 3/4"	•	
5	230	TM	6	175	10:1	0,37	R 3/4"	•	
5	115	TM	6	87	20:1	0,37	R 3/4"	•	
5	57	TM	6	44	40:1	0,37	R 3/4"	•	

PRIUS D 60Hz THREE-PHASE ATEX 2D

bar	l/h	Pump Head				Motor kW	AISI 316L (II 2D Ex h IIC T120° Db)		Installation Kit
		model	stroke (mm)	SPM	reduction		hoses connection		
10	7	NM	1,5	35	40:1	0,43	R 1/2"	•	
10	55	NM	3	175	10:1	0,43	R 1/2"	•	
10	27	NM	3	70	20:1	0,43	R 1/2"	•	
10	14	NM	3	35	40:1	0,43	R 1/2"	•	
10	100	TM	3	175	10:1	0,43	R 1/2"	•	
10	50	TM	3	87	20:1	0,43	R 3/4"	•	
10	25	TM	3	44	40:1	0,43	R 3/4"	•	
7	150	TM	4	175	10:1	0,43	R 3/4"	•	
7	75	TM	4	87	20:1	0,43	R 3/4"	•	
7	37	TM	4	44	40:1	0,43	R 3/4"	•	
5	230	TM	6	175	10:1	0,43	R 3/4"	•	
5	115	TM	6	87	20:1	0,43	R 3/4"	•	
5	57	TM	6	44	40:1	0,43	R 3/4"	•	

PRIUS D 60Hz Series | HIGH PRESSURE ATEX 2G/2D

PRIUS D 60Hz AP THREE-PHASE ATEX 2G

bar	l/h	Pump Head				Motor kW	AISI 316L (II 2G Ex h IIC T3 Gb)		Installation Kit
		model	stroke (mm)	SPM	reduction		hoses connection		
100	3	LM AP	1,5	175	10:1	0,43	R 3/8"	•	
100	1,5	LM AP	1,5	70	20:1	0,43	R 3/8"	•	
50	14	MM AP	2	175	10:1	0,43	R 1/2"	•	
50	7	MM AP	2	87	20:1	0,43	R 1/2"	•	
50	3,5	MM AP	2	44	40:1	0,43	R 1/2"	•	
30	26	MM AP	2	175	10:1	0,43	R 1/2"	•	
30	13	MM AP	2	87	20:1	0,43	R 1/2"	•	
30	6	MM AP	2	44	40:1	0,43	R 1/2"	•	
30	72	SM AP	4	175	10:1	0,43	R 1/2"	•	
30	36	SM AP	4	87	20:1	0,43	R 1/2"	•	
30	18	SM AP	4	44	40:1	0,43	R 1/2"	•	
20	153	TM AP	6	175	10:1	0,43	R 3/4"	•	
20	76	TM AP	6	87	20:1	0,43	R 3/4"	•	
20	38	TM AP	6	44	40:1	0,43	R 3/4"	•	

PRIUS D 60Hz AP THREE-PHASE ATEX 2D

bar	l/h	Pump Head				Motor kW	AISI 316L (II 2D Ex h IIC T120° Db)		Installation Kit
		model	stroke (mm)	SPM	reduction		hoses connection		
100	3	LM AP	1,5	175	10:1	0,43	R 3/8"	•	
100	1,5	LM AP	1,5	70	20:1	0,43	R 3/8"	•	
50	14	MM AP	2	175	10:1	0,43	R 1/2"	•	
50	7	MM AP	2	87	20:1	0,43	R 1/2"	•	
50	3,5	MM AP	2	44	40:1	0,43	R 1/2"	•	
30	26	MM AP	2	175	10:1	0,43	R 1/2"	•	
30	13	MM AP	2	87	20:1	0,43	R 1/2"	•	
30	6	MM AP	2	44	40:1	0,43	R 1/2"	•	
30	72	SM AP	4	175	10:1	0,43	R 1/2"	•	
30	36	SM AP	4	87	20:1	0,43	R 1/2"	•	
30	18	SM AP	4	44	40:1	0,43	R 1/2"	•	
20	153	TM AP	6	175	10:1	0,43	R 3/4"	•	
20	76	TM AP	6	87	20:1	0,43	R 3/4"	•	
20	38	TM AP	6	44	40:1	0,43	R 3/4"	•	

PRIUS D 60Hz Series | ATEX 3G/3D

PRIUS D 60Hz THREE-PHASE ATEX 3G

bar	l/h	Pump Head				Motor kW	PVDF (II 3G Ex h IIC T3 Gc)		Installation Kit
		model	stroke (mm)	SPM	reduction		hoses connection		
10	55	NM	3	175	10:1	0,25	/	A	
10	27	NM	3	70	20:1	0,25	/	A	
10	14	NM	3	35	40:1	0,25	/	A	
10	100	TM	3	175	10:1	0,37	/	A	
10	50	TM	3	87	20:1	0,37	/	A	
10	25	TM	3	44	40:1	0,37	/	A	
7	150	TM	4	175	10:1	0,37	/	A	
7	75	TM	4	87	20:1	0,37	/	A	
7	37	TM	4	44	40:1	0,37	/	A	
5	230	TM	6	175	10:1	0,37	/	B	
5	115	TM	6	87	20:1	0,37	/	B	
5	57	TM	6	44	40:1	0,37	/	B	
5	335	UMS	4	175	10:1	0,37	/	C	
5	165	UMS	4	87	20:1	0,37	/	C	
5	84	UMS	4	44	40:1	0,37	/	C	
5	420	UMS	5	175	10:1	0,37	/	C	
5	210	UMS	5	87	20:1	0,37	/	C	
5	105	UMS	5	44	40:1	0,37	/	C	
5	505	UMS	6	175	10:1	0,37	/	C	
5	250	UMS	6	87	20:1	0,37	/	C	
5	126	UMS	6	44	40:1	0,37	/	C	

PRIUS D 60Hz THREE-PHASE ATEX 3G

bar	l/h	Pump Head				Motor kW	AISI 316L (II 3G Ex h IIC T3 Gc)		Installation Kit
		model	stroke (mm)	SPM	reduction		hoses connection		
5	335	UMS	4	175	10:1	0,37	/	C	
5	165	UMS	4	87	20:1	0,37	/	C	
5	84	UMS	4	44	40:1	0,37	/	C	
5	420	UMS	5	175	10:1	0,37	/	C	
5	210	UMS	5	87	20:1	0,37	/	C	
5	105	UMS	5	44	40:1	0,37	/	C	
5	505	UMS	6	175	10:1	0,37	/	C	
5	250	UMS	6	87	20:1	0,37	/	C	
5	126	UMS	6	44	40:1	0,37	/	C	

PRIUS D 60Hz Series | ATEX 3G/3D

PRIUS D 60Hz THREE-PHASE ATEX 3G

bar	l/h	Pump Head				Motor kW	PP (II 3G Ex h IIC T3 Gc)		Installation Kit
		model	stroke (mm)	SPM	reduction		hoses connection		
10	55	NM	3	175	10:1	0,25	/	A	
10	27	NM	3	70	20:1	0,25	/	A	
10	14	NM	3	35	40:1	0,25	/	A	
10	100	TM	3	175	10:1	0,37	/	A	
10	50	TM	3	87	20:1	0,37	/	A	
10	25	TM	3	44	40:1	0,37	/	A	
7	150	TM	4	175	10:1	0,37	/	A	
7	75	TM	4	87	20:1	0,37	/	A	
7	37	TM	4	44	40:1	0,37	/	A	
5	230	TM	6	175	10:1	0,37	/	B	
5	115	TM	6	87	20:1	0,37	/	B	
5	57	TM	6	44	40:1	0,37	/	B	
5	335	UMS	4	175	10:1	0,37	/	C	
5	165	UMS	4	87	20:1	0,37	/	C	
5	84	UMS	4	44	40:1	0,37	/	C	
5	420	UMS	5	175	10:1	0,37	/	C	
5	210	UMS	5	87	20:1	0,37	/	C	
5	105	UMS	5	44	40:1	0,37	/	C	
5	505	UMS	6	175	10:1	0,37	/	C	
5	250	UMS	6	87	20:1	0,37	/	C	
5	126	UMS	6	44	40:1	0,37	/	C	

PRIUS D 60Hz THREE-PHASE ATEX 3D

bar	l/h	Pump Head				Motor kW	PVDF (II 3D Ex h IIC T120° Dc)		Installation Kit
		model	stroke (mm)	SPM	reduction		hoses connection		
10	55	NM	3	175	10:1	0,29	/	A	
10	27	NM	3	70	20:1	0,29	/	A	
10	14	NM	3	35	40:1	0,29	/	A	
10	100	TM	3	175	10:1	0,43	/	A	
10	50	TM	3	87	20:1	0,43	/	A	
10	25	TM	3	44	40:1	0,43	/	A	
7	150	TM	4	175	10:1	0,43	/	A	
7	75	TM	4	87	20:1	0,43	/	A	
7	37	TM	4	44	40:1	0,43	/	A	
5	230	TM	6	175	10:1	0,43	/	B	
5	115	TM	6	87	20:1	0,43	/	B	
5	57	TM	6	44	40:1	0,43	/	B	
5	335	UMS	4	175	10:1	0,43	/	C	
5	165	UMS	4	87	20:1	0,43	/	C	
5	84	UMS	4	44	40:1	0,43	/	C	
5	420	UMS	5	175	10:1	0,43	/	C	
5	210	UMS	5	87	20:1	0,43	/	C	
5	105	UMS	5	44	40:1	0,43	/	C	
5	505	UMS	6	175	10:1	0,43	/	C	
5	250	UMS	6	87	20:1	0,43	/	C	
5	126	UMS	6	44	40:1	0,43	/	C	

PRIUS D 60Hz Series | ATEX 3G/3D

PRIUS D 60Hz THREE-PHASE ATEX 3D

bar	l/h	Pump Head				Motor kW	AISI 316L (II 3D Ex h IIC T120° Dc)		Installation Kit
		model	stroke (mm)	SPM	reduction		hoses connection	I	
5	335	UMS	4	175	10:1	0,43	/	C	
5	165	UMS	4	87	20:1	0,43	/	C	
5	84	UMS	4	44	40:1	0,43	/	C	
5	420	UMS	5	175	10:1	0,43	/	C	
5	210	UMS	5	87	20:1	0,43	/	C	
5	105	UMS	5	44	40:1	0,43	/	C	
5	505	UMS	6	175	10:1	0,43	/	C	
5	250	UMS	6	87	20:1	0,43	/	C	
5	126	UMS	6	44	40:1	0,43	/	C	

PRIUS D 60Hz THREE-PHASE ATEX 3D

bar	l/h	Pump Head				Motor kW	PP (II 3D Ex h IIC T120° Dc)		Installation Kit
		model	stroke (mm)	SPM	reduction		hoses connection	I	
10	55	NM	3	175	10:1	0,29	/	A	
10	27	NM	3	70	20:1	0,29	/	A	
10	14	NM	3	35	40:1	0,29	/	A	
10	100	TM	3	175	10:1	0,43	/	A	
10	50	TM	3	87	20:1	0,43	/	A	
10	25	TM	3	44	40:1	0,43	/	A	
7	150	TM	4	175	10:1	0,43	/	A	
7	75	TM	4	87	20:1	0,43	/	A	
7	37	TM	4	44	40:1	0,43	/	A	
5	230	TM	6	175	10:1	0,43	/	B	
5	115	TM	6	87	20:1	0,43	/	B	
5	57	TM	6	44	40:1	0,43	/	B	
5	335	UMS	4	175	10:1	0,43	/	C	
5	165	UMS	4	87	20:1	0,43	/	C	
5	84	UMS	4	44	40:1	0,43	/	C	
5	420	UMS	5	175	10:1	0,43	/	C	
5	210	UMS	5	87	20:1	0,43	/	C	
5	105	UMS	5	44	40:1	0,43	/	C	
5	505	UMS	6	175	10:1	0,43	/	C	
5	250	UMS	6	87	20:1	0,43	/	C	
5	126	UMS	6	44	40:1	0,43	/	C	

FEATURES

- Horizontal mounting
- Aluminium enclosure
- Spring return mechanism
- Double ball check valve (where available)
- Manual stroke length adjustment
- Liquid ends available in different sizes and materials
- Tropicalized motor
- Available with ATEX certification

INSTALLATION

- Kit installation A included
- Kits installation B and C sold separately
- The pump with pump head in AISI316L does not have accessories for installation



PUMP HEADS



PVDF



PP



AISI316

Series PRIUS D 60 Hz

Diaphragm motor-driven dosing pumps

technical data
manuals
datasheets
exploded-views



PRIUS D 60 Hz

Diaphragm pump with constant dosing

FEATURES

- › PTFE diaphragm
- › Manual stroke length adjustment
- › Liquid ends available in different sizes and materials

FUNCTIONS

- › Constant dosing

MOTORS

0,37 kW 220/380 V 3-phase
0,18 kW 220/380 V 3-phase
0,55 kW 220/380 V 3-phase

PRIUS D 60 Hz Mono

Diaphragm pump with constant dosing and single-phase motor

FEATURES

- › PTFE diaphragm
- › Manual stroke length adjustment
- › Liquid ends available in different sizes and materials
- › Single-phase motor

FUNCTIONS

- › Constant dosing

MOTORS

0,37 kW 220 V single-phase
0,55 kW 220 V single-phase

PRIUS D 60Hz AP

Diaphragm pump with constant dosing for high pressure

FEATURES

- › PTFE diaphragm
- › Manual stroke length adjustment
- › Liquid ends available in different sizes and materials
- › For high pressure

FUNCTIONS

- › Constant dosing

MOTORS

0,37 kW 220/380 V 3-phase

PRIUS D 60Hz AP Mono

Diaphragm pump for high pressure with single-phase motor

FEATURES

- › PTFE diaphragm
- › Manual stroke length adjustment
- › Liquid ends available in different sizes and materials
- › For high pressure
- › Single-phase motor

FUNCTIONS

- › Constant dosing

MOTORS

0,37 kW 220 V single-phase
0,55 kW 220 V single-phase

ATEX - Category 2

Category 2

Installation areas liable to be endangered by explosive atmospheres. Pumps intended for use in areas in which explosive atmospheres are likely to occur.

	G (gas)	D (dust)
1999/92/EC	Zone 1	Zone 21

- › Explosive atmospheres consists of air and combustible matter, such as gases, vapours, mists or dusts in which the explosion spreads after ignition.
- › Atex pumps are designed in accordance with ATEX directive 2014/34/EU and can be used in areas (zones) classified according to ATEX directive 1999/92/CE.
- › Stainless steel liquid ends (AISI 316).

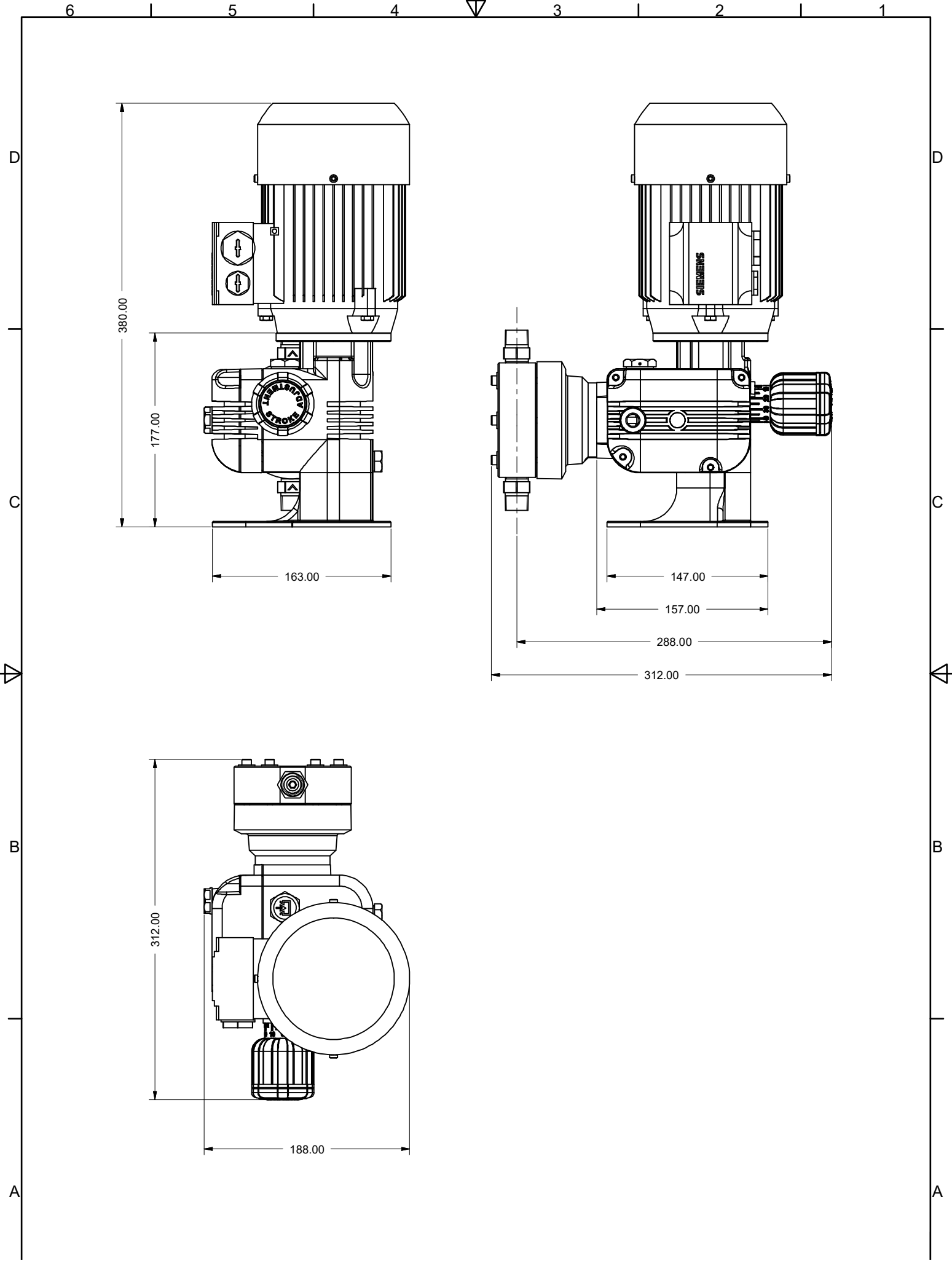
ATEX - Category 3

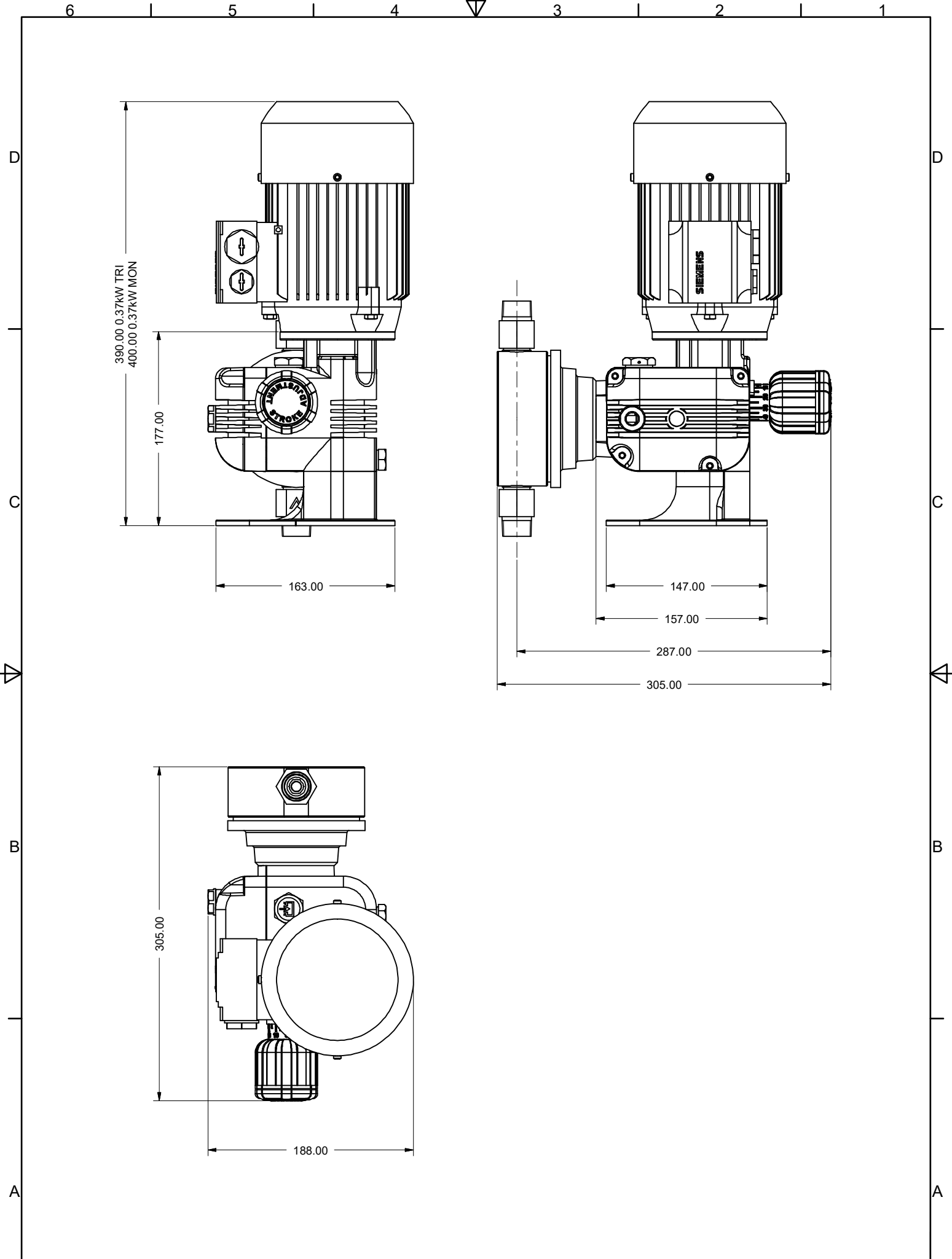
Category 3

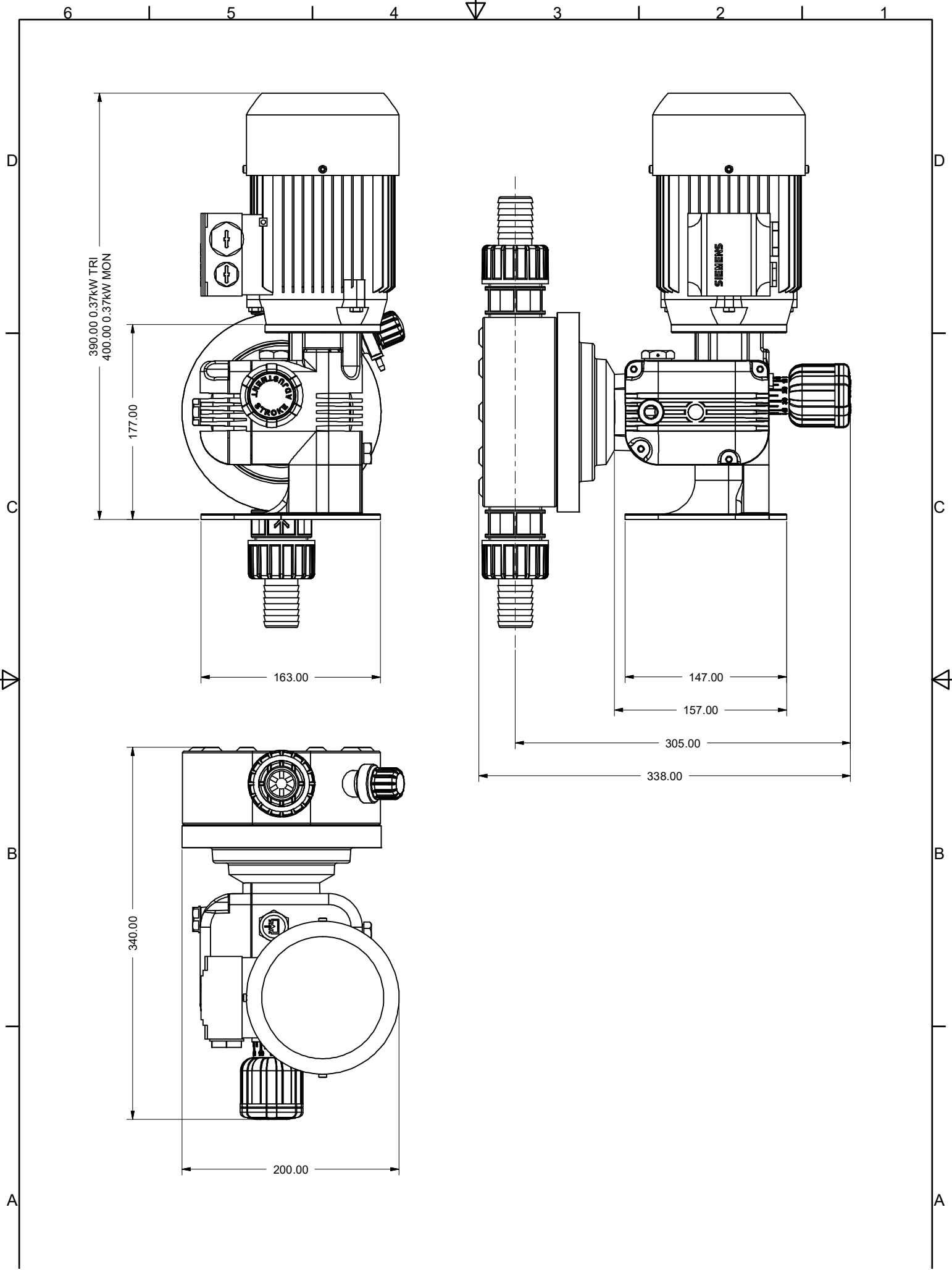
Installation areas liable to be endangered by explosive atmospheres. Pumps intended for use in areas in which explosive atmospheres only rarely occur.

	G (gas)	D (dust)
1999/92/EC	Zone 2	Zone 22

- › Explosive atmospheres consists of air and combustible matter, such as gases, vapours, mists or dusts in which the explosion spreads after ignition.
- › Atex pumps are designed in accordance with ATEX directive 2014/34/EU and can be used in areas (zones) classified according to ATEX directive 1999/92/CE.







Via Donatori di Sangue, 1 - 02100 Rieti (Italy)
 +39 074622841 | emecpumps.com

Specifications subject to change without notice | R2025

