

SLV

VISUAL LEVEL INDICATOR

The level indicators allow to check the level of the liquid inside a tank at any given time in a constant, clear and precise way. Cheap and highly reliable solution.

- › **WORKING PRINCIPLE:** The principle used is that of Archimedes: the liquid from the tank to which the level indicator is applied raises the float revealing the precise point reached inside the tank. A measurement scale placed along the rod in PMMA allows you to read the amount of liquid present.
- › **OPTIONS:** Available for TANKS mod. CNTPD 50 / 110 / 200 / 500 or customized.
- › **ADVANTAGES:** Continuous indication of the liquid level. Immediate assembly without the use of tools. Total visibility, both front and side. High chemical resistance being made of PVC, PMMA and PE-HD.



SLV

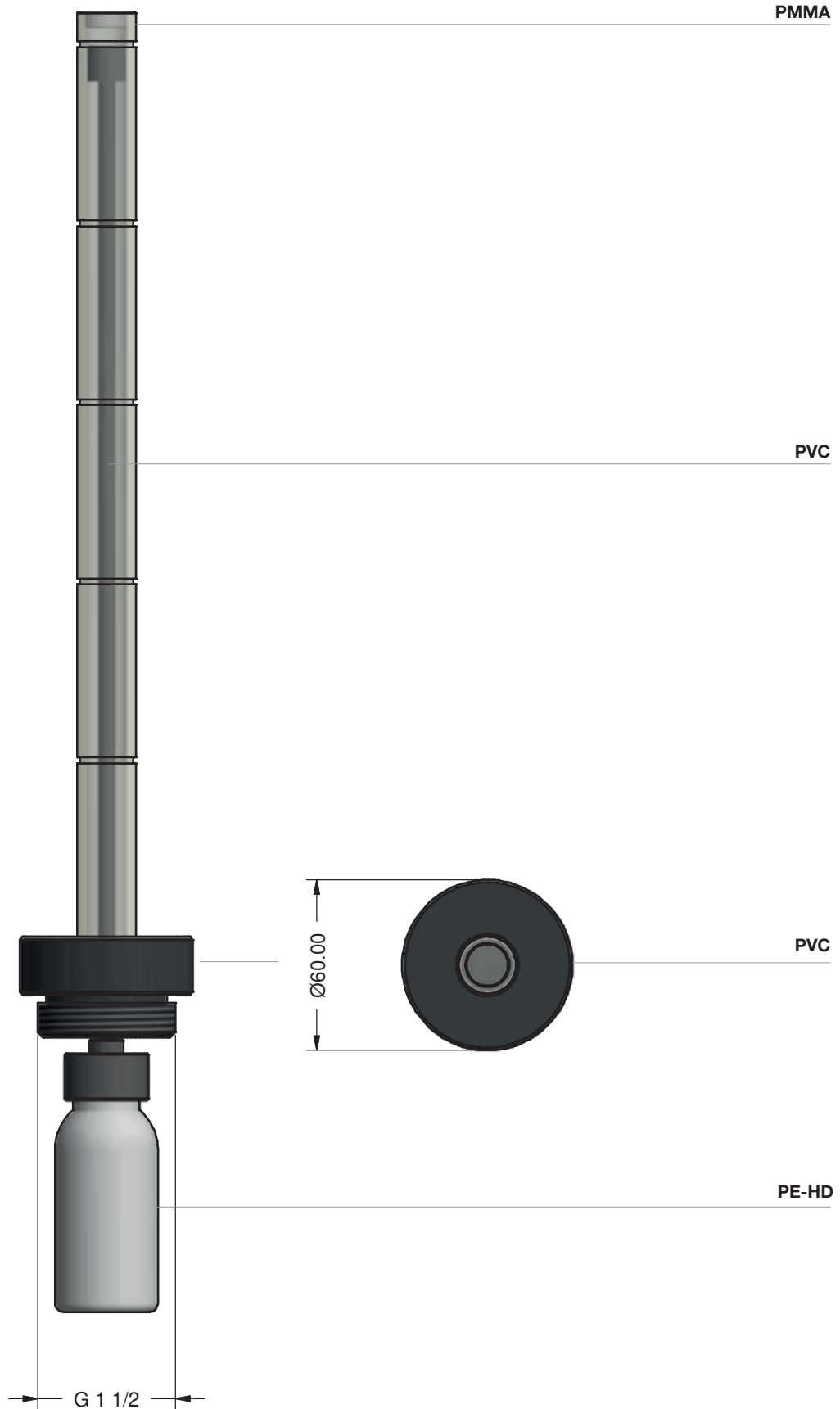
- › Graduated Detection Scale
- › Maximum working temperature 50°C
- › Maximum working pressure 1 bar
- › Maximum tightening pair recommended 80 Nm



Installed on CNT

SLV

VISUAL LEVEL INDICATOR



The height of the detection rod varies depending on the CNT size