

CONDUCTIVITY PROBES

FULL SS (AISI-316) (R 3/4")

Data Sheet

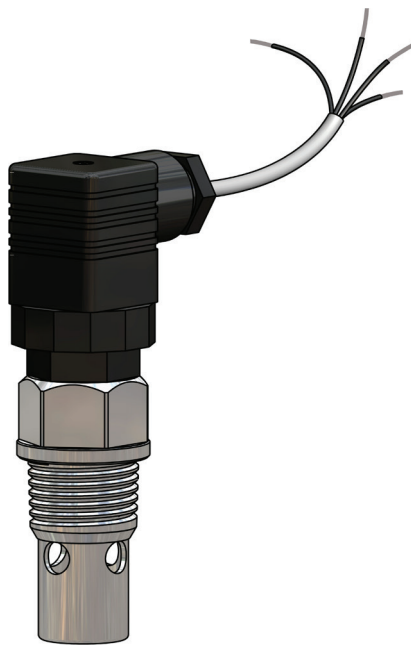
FULL STAINLESS STEEL CONDUCTIVITY PROBES

Conductivity probes with full SS body.

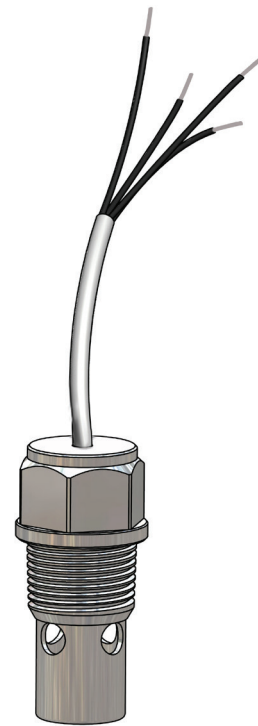
They perform an accurate and reliable operativity into chemical environment.

These electrodes are made for an easy maintenance, accurate reading and fast response.

Suitable to work under heavy pressure and high temperature.



EICDC/K1 - K01 - K001
EICDCPT/K1 - K01 - K001



EICDHPT/K1 -K01 - K001

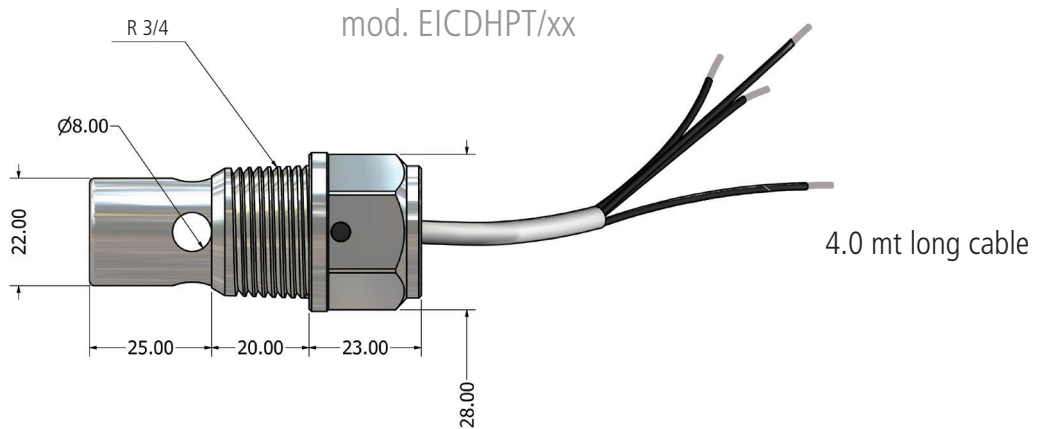
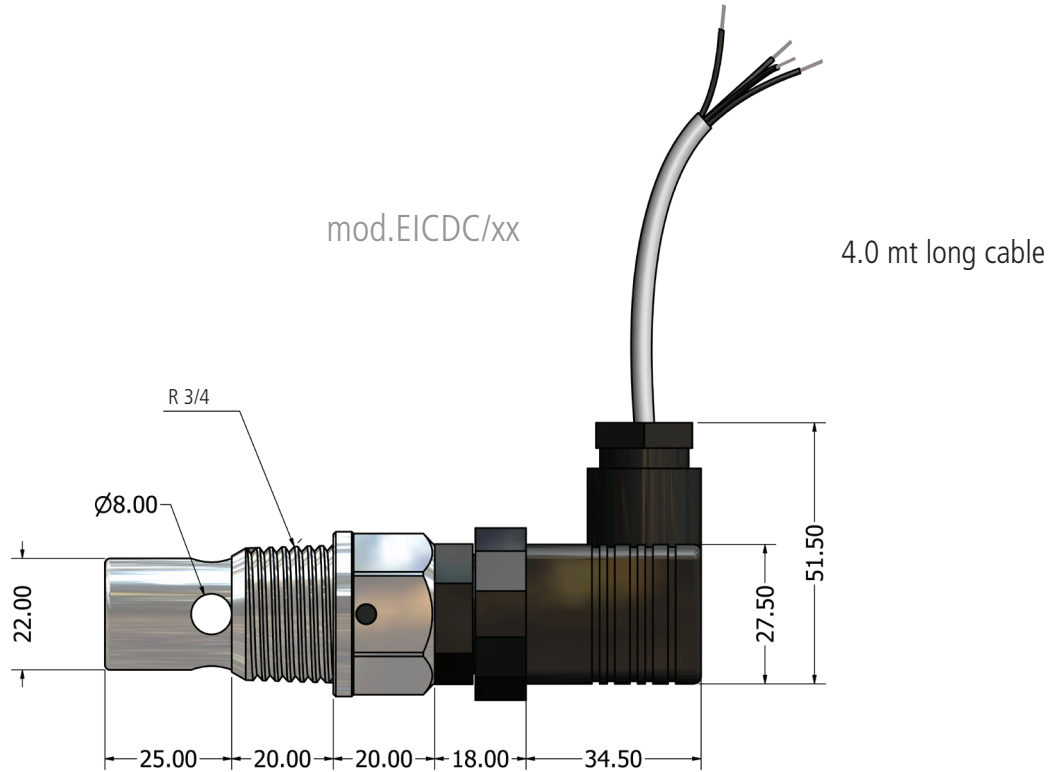
MODELS

	EICDC/1	EICDC/01	EICDC/001	EICDCPT/1	EICDCPT/01	EICDCPT/001	EICDHPT/1	EICDHPT/01	EICDHPT/001
Working Range	0-20mS	0-200 µS	0-20 µS	0-20mS	0-200 µS	0-20 µS	0-20mS	0-200 µS	0-20 µS
"K" Factor	1	0.1	0.01	1	0.1	0.01	1	0.1	0.01
Max pressure / temperature	15 bar/ 130°C	15 bar/ 130°C	15 bar/ 130°C	15 bar/ 130°C	15 bar/ 130°C	15 bar/ 130°C	15 bar/ 200°C	15 bar/ 200°C	15 bar/ 200°C
Body	SS	SS	SS	SS	SS	SS	SS	SS	SS
Electrodes	SS	SS	SS	SS	SS	SS	SS	SS	SS
Diameter	R 3/4"	R 3/4"	R 3/4"	R 3/4"	R 3/4"	R 3/4"	R 3/4"	R 3/4"	R 3/4"
Cable Length	4 m	4 m	4 m	4 m	4 m	4 m	4 m	4 m	4 m
Temperature Compensator	NTC 10K	NTC 10K	NTC 10K	PT 100	PT 100	PT 100	PT 100	PT 100	PT 100

CONDUCTIVITY PROBES

FULL SS (AISI-316) (R 3/4")

Data Sheet



COMPENSATOR	C A B L E S		SECTION
NTC 10K	RED	ELECTRODES	4 x 0.14
	BLACK		
	WHITE	NTC 10K	
	GREEN		
	BLUE	SHIELD	

PT 100	RED	ELECTRODES	4 x 0.22
	BLACK		
	JELLOW - WHI- TE - GREEN - BROWN	PT 100	
	BLUE	SHIELD	