

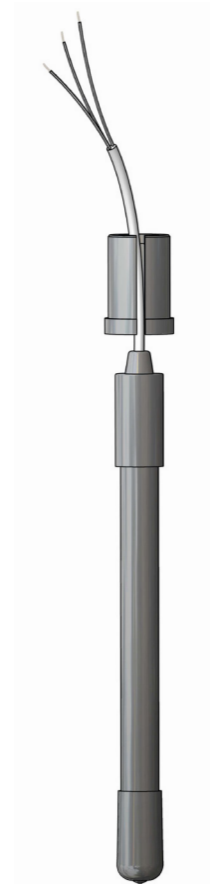
# CONDUCTIVITY PROBES HIGH LINEARITY

Data Sheet

## HIGH LINEARITY CONDUCTIVITY PROBES

High linearity conductivity electrodes with EPOXY body. They perform an accurate and reliable operativity into chemical environment.

These electrodes are made for an easy maintenance, accurate reading and fast response.



Max 7 bar@70°C

K: 0.1 - 1 - 10

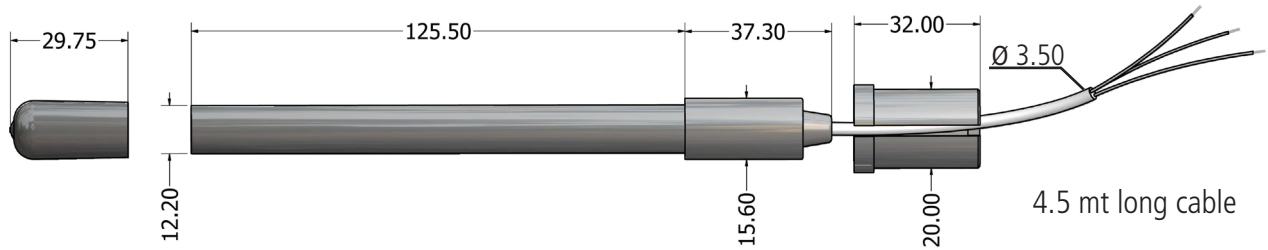
## MODELS

	ECDHL/01	ECDHL/1	ECDHL/10	ECDHLC/01	ECDHLC/1	ECDHLC/10	ECDHLCPT/01	ECDHLCPT/1	ECDHLCPT/10
Measuring Range	0-200 µS	0,2-20 mS	20-200 mS	0-200 µS	0,2-20 mS	20-200 mS	0-200 µS	0,2-20 mS	20-200 mS
K Factor	0,1	1	10	0,1	1	10	0,1	1	10
Max pressure Max temp.	7 bar @ 70°C	7 bar @ 70°C	7 bar @ 70°C	7 bar @ 70°C	7 bar @ 70°C	7 bar @ 70°C	7 bar @ 70°C	7 bar @ 70°C	7 bar @ 70°C
Body	EPOXY	EPOXY	EPOXY	EPOXY	EPOXY	EPOXY	EPOXY	EPOXY	EPOXY
Electrodes	Platinum	Platinum	Platinum	Platinum	Platinum	Platinum	Platinum	Platinum	Platinum
Cable length	5 m	5 m	5 m	5 m	5 m	5 m	5 m	5 m	5 m
Temperature compensator	-	-	-	NTC 10K	NTC 10K	NTC 10K	PT 100	PT 100	PT 100

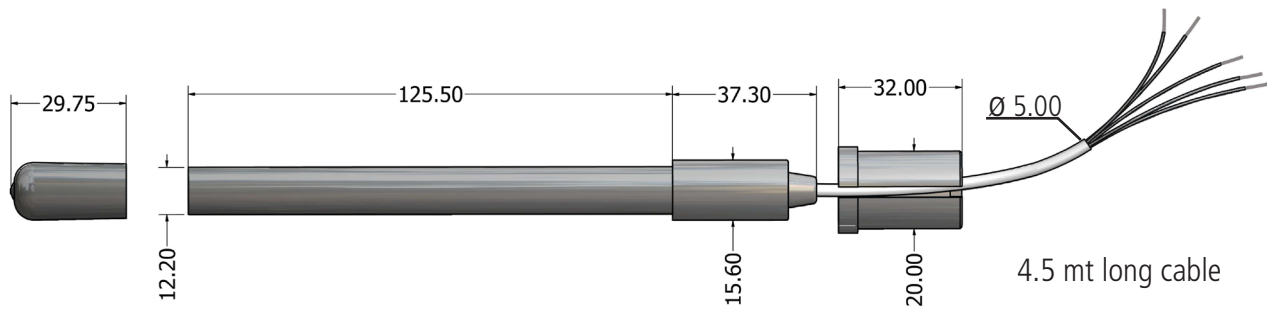
# CONDUCTIVITY PROBES HIGH LINEARITY

Data Sheet

## ECDHL/xx



## ECDHLC/xx



COMPENSATION	C A B L E		WIRES SIZE
N/A	RED	ELECTRODES	2 x 0.50
	BLACK		
	GROUND	GROUND	
NTC 10K	RED	ELECTRODES	2 x 0.50
	BLACK		
	GROUND	GROUND	2 x 0.50
	WHITE-GREEN	NTC 10K	
PT 100	RED	ELECTRODES	2 x 0.50
	BLACK		
	GROUND	GROUND	2 x 0.50
	WHITE-GREEN	PT 100	