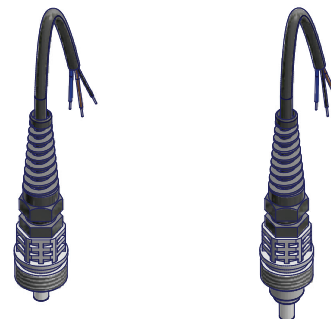


Accurate and reliable control of processes.  
Easy-maintenance, provides accurate reading values and fast responses.



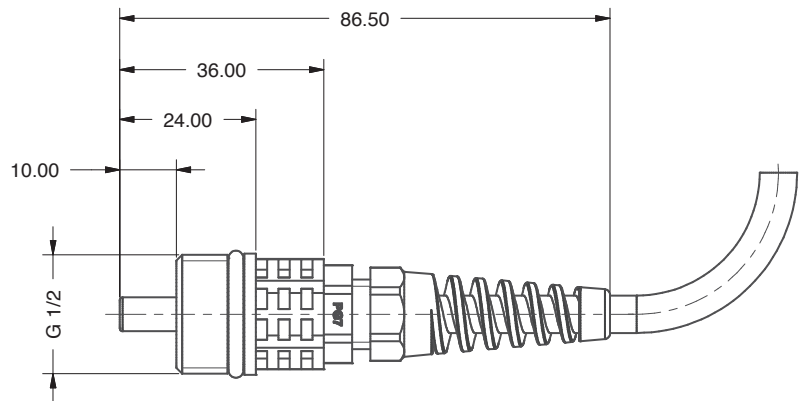
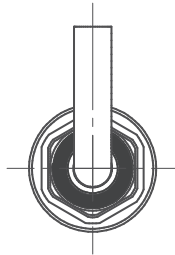
ETEPCH18  
ETEPTCH18

ETEPCH18/L  
ETEPTCH18/L

## TEMPERATURE ELECTRODES

MODELS	Electrode	Range	Pressure	Cable	Body	Features	Application
ETEPCH18	temperature compensation	0-100°C	10 bar	4 m	PVDF (1/2" threading)	NTC 10Kohm	ECL6 PEF
ETEPCH18/L	temperature compensation	0-100°C	10 bar	4 m	PVDF (1/2" threading)	NTC 10Kohm	NPED PEF22 - PEF23
ETEPTCH18	temperature compensation	0-100°C	10 bar	4 m	PVDF (1/2" threading)	PT100	ECL6 PEF
ETEPTCH18/L	temperature compensation	0-100°C	10 bar	4 m	PVDF (1/2" threading)	PT100	NPED PEF22 - PEF23

**ETEPCH18**  
**ETEPTCH18**



**ETEPCH18/L**  
**ETEPTCH18/L**

