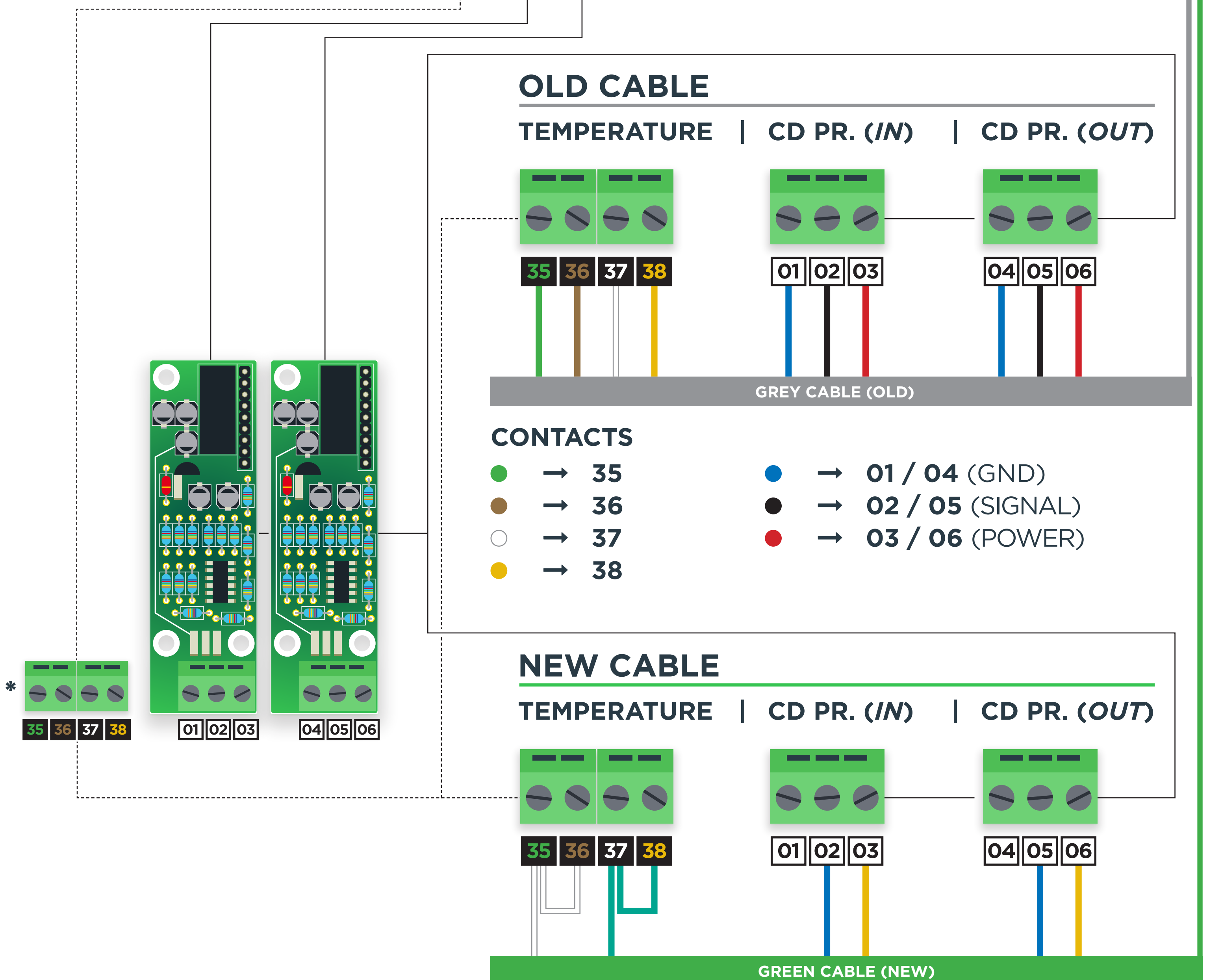
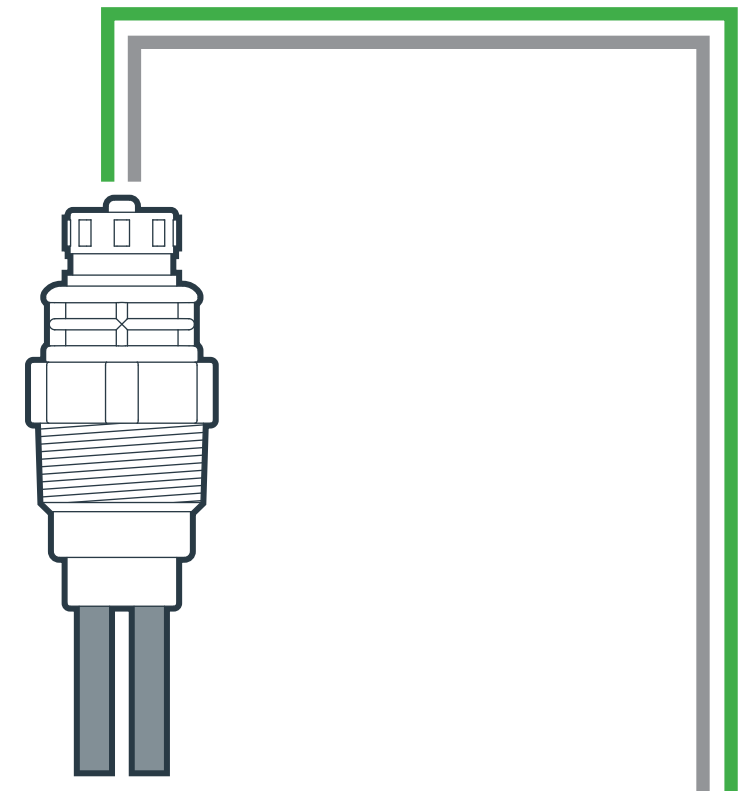
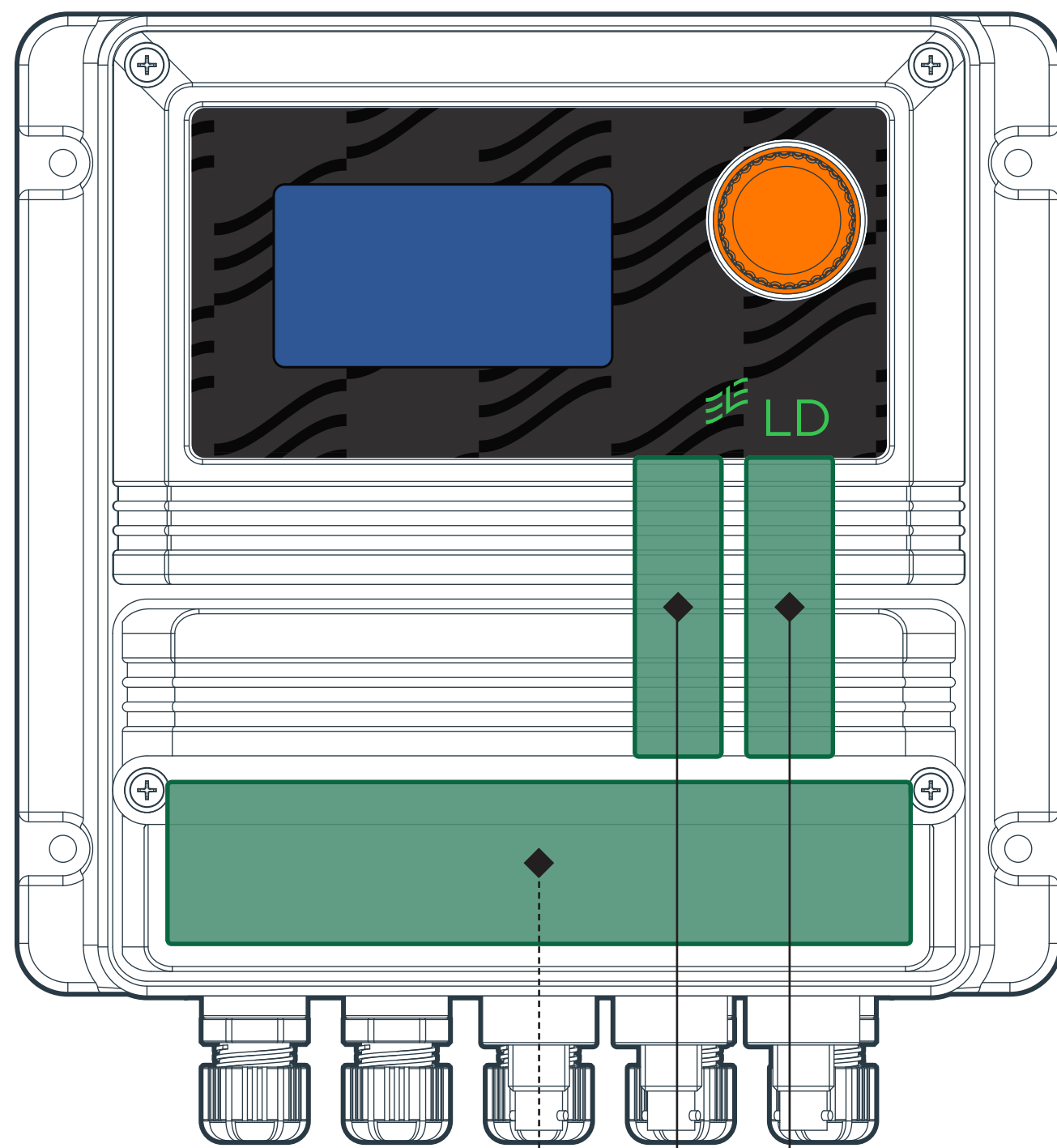


LDSOSIN PLUS INSTRUMENT

ECDC/ECDI/EICD PROBE CONNECTION



* Only 1 Probe Temp. compensation